
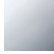


33 500 710



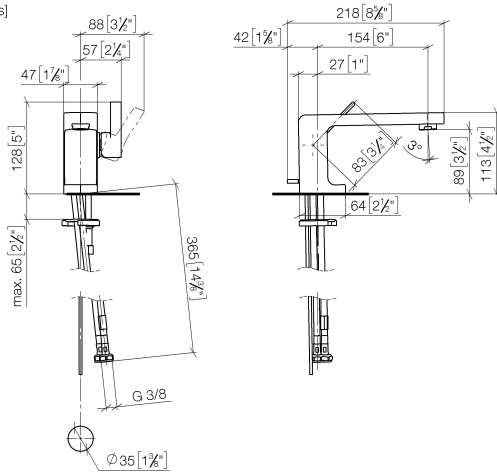
- 155mm projection
- fixed spout
- circular, air-enriched flow
- height of mixer 113 mm
- height up to aerator 90 mm
- hole diameter 35 mm
- 2x screw-in M 8 x 1 pressure hose, leak-tested
- max. flow 7 l/min
- lead-free
- WRAS 2001005
- This product can help a building meet the requirements of Green Building Rating Systems, e.g. LEED®, BREEAM®, DGNB

Only suitable for basins with an overflow.

	Brushed Platinum	33 500 710-06
	Chrome	33 500 710-00

33 500 710

mm [inches]



Flow rate chart



Certificates

LGA_9960.

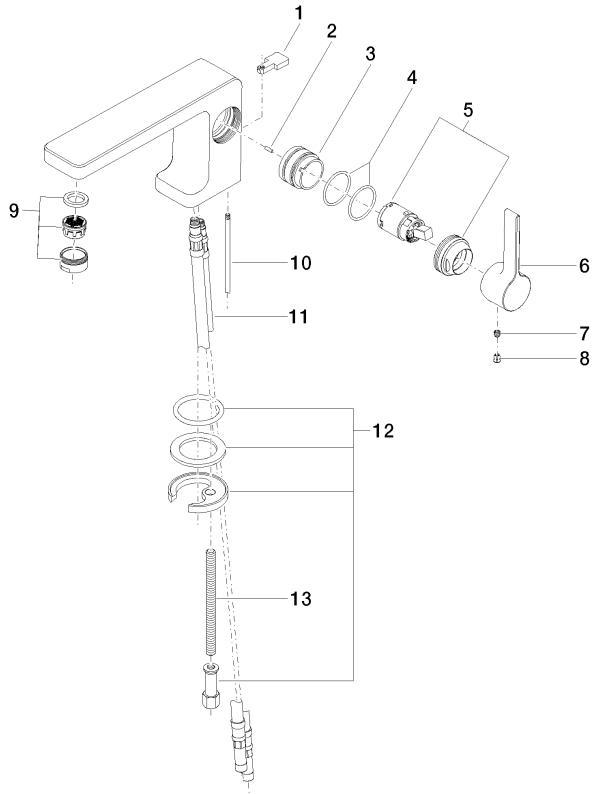
WRAS_2001005.

ETA_18153.

GDV_0400312.

33 500 710

Parts for other finishes can be found here: [Chrome](#)



14 Ablaufgarnitur 04.11.01.001.00-#

Spare parts list

No.	Item Number	Name	Quantity used	Delivery time
1	09 20 71 030-06	handle	1	10
2	09 31 11 111 90	pin	1	2
3	09 18 40 095 10 90	sleeve	1	2
4	09 14 10 137 90	seal	2	2
5	90 15 05 041 00-06	cartridge	1	10
6	09 20 71 040-06	handle	1	10
7	90 31 11 030 00 90	pin	1	2
8	09 31 20 017 90	plug	1	2
9	90 23 01 118 01-06	aerator	1	10
10	09 31 09 080-06	pull-rod	1	10
11	04 30 04 018 00 90	hose	2	60
12	04 30 11 038 75 90	fixing set	1	2
13	09 31 11 012 90	pin	1	2
14	90 11 01 001 00-06	pop-up waste	1	10