

33 505 710 Product version from 3/31/2009 to 3/19/2019

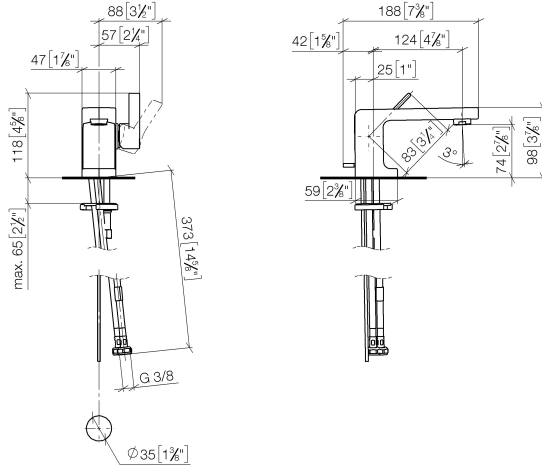


- 125mm projection
- fixed spout
- circular, air-enriched flow
- height of mixer 98 mm
- height up to aerator 75 mm
- hole diameter 35 mm
- 2x screw-in M 8 x 1 pressure hose, leak-tested
- max. flow 7 l/min
- lead-free
- WRAS
- This product can help a building meet the requirements of Green Building Rating Systems, e.g. LEED®, BREEAM®, DGNB

Only suitable for basins with an overflow.

33 505 710 Product version from 3/31/2009 to 3/19/2019

mm [inches]



**Flow rate chart**



**Codes & Standards**

DIN 4109	EN 817	Executive Order no. 1007	ISO 3822
Scottish Water Byelaws	UK Water Supply Regulations	Ü-Zeichen	VA-Zeichen



## LULU Single-lever basin mixer with pop-up waste - Chrome

---

LULU

33 505 710 Product version from 3/31/2009 to 3/19/2019

### Certificates and sustainability

---

LGA\_9

WRAS\_2001

ETA\_18

GDV\_0400

