

33 505 811


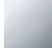


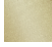


- 177mm projection
- fixed spout
- rectangular, air-enriched flow
- height of mixer 198 mm
- height up to aerator 133 mm
- hole diameter 35 mm
- 2x screw-in M 8 x 1 pressure hose, leak-tested
- max. flow 4.5 l/min
- lead-free
- This product can help a building meet the requirements of Green Building Rating Systems, e.g. LEED®, BREEAM®, DGNB
- WRAS 2111040

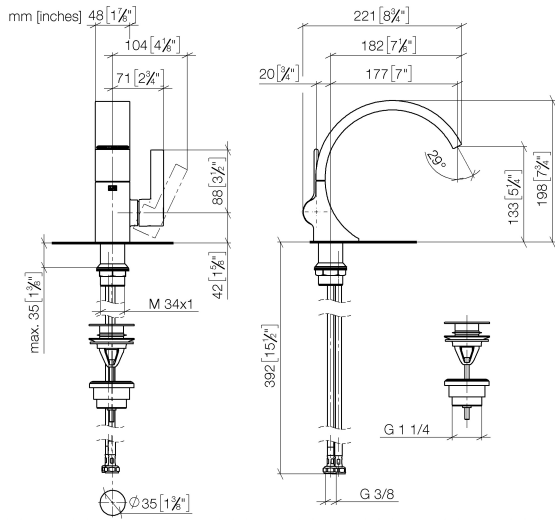
Only suitable for basins with an overflow.

Must not be combined with continuous-flow heaters heaters.

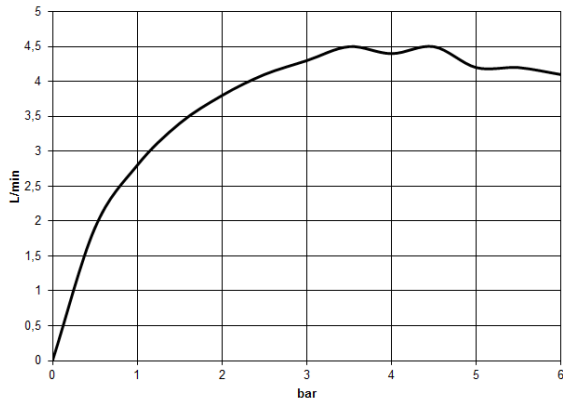
Distance from centre of tap hole to wall min. 55 mm or to front edge of basin min. 40 mm.

	Brushed Dark Platinum	33 505 811-99
	Chrome	33 505 811-00
	Brushed Platinum	33 505 811-06
	Dark Chrome	33 505 811-19
	Brushed Durabronze (23kt Gold)	33 505 811-28

33 505 811



Flow rate chart



Certificates

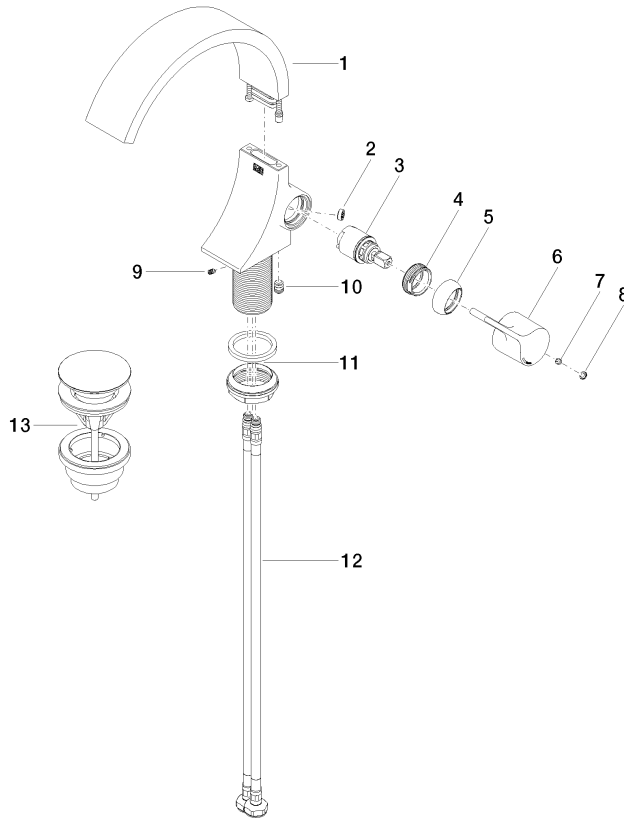
GDV\_0400285.

LGA\_38104.

WRAS\_2111040.

33 505 811

Parts for other finishes can be found here: [Chrome](#)



Spare parts list

No.	Item Number	Name	Quantity used	Delivery time
1	90 11 70 013 01-99	spout	1	30
2	09 23 01 172 90	flow reducer	1	2
3	90 15 05 044 00 90	cartridge	1	2
4	09 24 04 266 90	nut	1	2
5	09 28 30 021-99	cover	1	30
6	09 20 80 024-99	handle	1	30
7	90 31 11 030 00 90	pin	1	2
8	90 31 20 087 00-99	plug	1	30
9	09 31 11 008 90	pin	1	2
10	90 31 20 129 00 90	plug	1	2
11	04 23 10 044 07 90	fixing set	1	2
12	04 30 04 100 00 90	hose	2	2
13	10 125 970-99	Basin Waste with push fastening 1 1/4" - Brushed Dark Platinum	1	2