



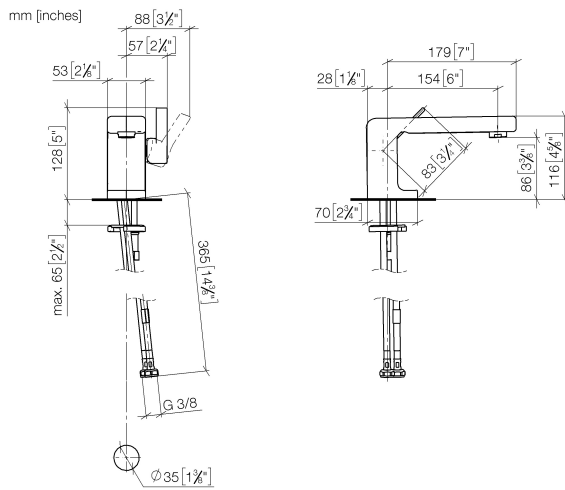
33 521 710 Product version from 3/31/2009 to 5/15/2020



- 155mm projection
- fixed spout
- circular, air-enriched flow
- height of mixer 113 mm
- height up to aerator 90 mm
- hole diameter 35 mm
- 2x screw-in M 8 x 1 pressure hose, leak-tested
- max. flow 7 l/min
- lead-free
- WRAS
- This product can help a building meet the requirements of Green Building Rating Systems, e.g. LEED®, BREEAM®, DGNB

	Brushed Platinum	33 521 710-06
	Chrome	33 521 710-00

33 521 710 Product version from 3/31/2009 to 5/15/2020



Flow rate chart



Codes & Standards

DIN 4109

EN 817

Executive Order
no. 1007

ISO 3822

Scottish Water
Byelaws

UK Water Supply
Regulations

Ü-Zeichen

VA-Zeichen



LULU Single-lever basin mixer without pop-up waste - Brushed Platinum

LULU

33 521 710 Product version from 3/31/2009 to 5/15/2020

Certificates and sustainability

LGA_9

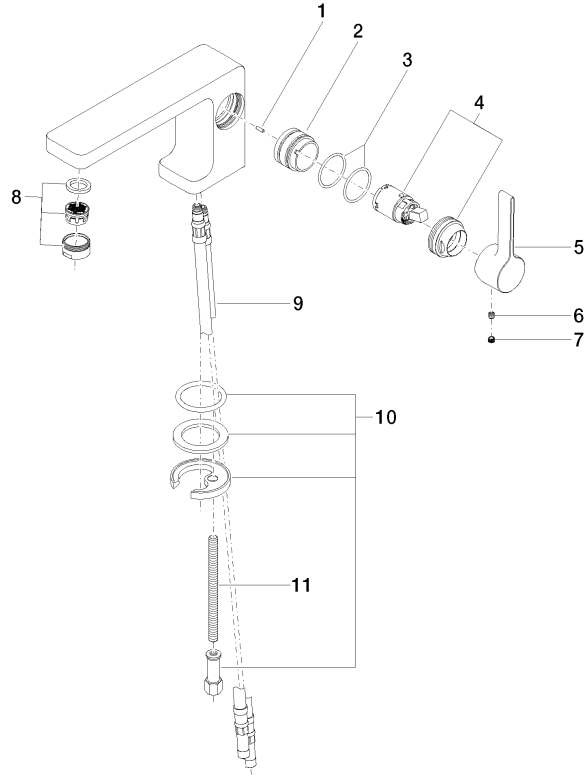
WRAS_2001

ETA_18

GDV_0400

33 521 710 Product version from 3/31/2009 to 5/15/2020

Parts for other finishes can be found here: [Chrome](#)



Spare parts list

No.	Item Number	Name	Quantity used	Delivery time
	9 04 30 04 018 00 90	hose	2.00	60
	2 09 18 40 095 10 90	sleeve	1.00	2
	1 09 31 11 111 90	pin	1.00	2
	10 04 30 11 038 75 90	fixing set	1.00	2
	5 09 20 71 040-06	handle	1.00	10
	3 09 14 10 137 90	seal	2.00	2
	4 90 15 05 041 00-06	cartridge	1.00	10
	8 90 23 01 118 01-06	aerator	1.00	10
	11 09 31 11 012 90	pin	1.00	2
	6 90 31 11 030 00 90	pin	1.00	2
	7 90 31 20 109 00 90	plug	1.00	2