

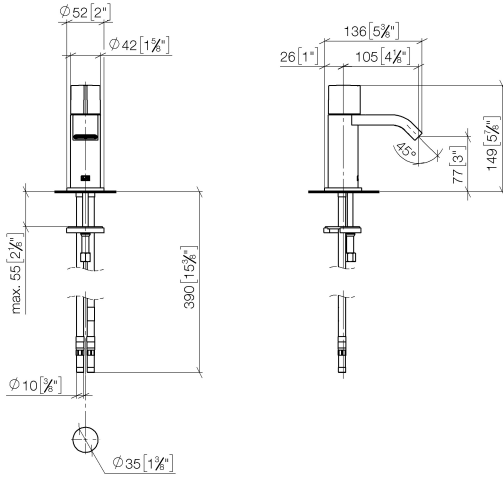
33 527 670 Product version up to 5/10/2021



- 105mm projection
- fixed spout
- rectangular, air-enriched flow
- height of mixer 149 mm
- height up to aerator 80 mm
- hole diameter 35 mm
- progressive cartridge
- 2x screw-in M 10 x 1 pressure hose, leak-tested
- max. flow 7 l/min
- lead-free
- This product can help a building meet the requirements of Green Building Rating Systems, e.g. LEED®, BREEAM®, DGNB

33 527 670 Product version up to 5/10/2021

mm [inches]



**Flow rate chart**



**Codes & Standards**

DIN 4109

EN 817

Executive Order  
no. 1007

ISO 3822

Ü-Zeichen

VA-Zeichen



## IMO Single-lever basin mixer without pop-up waste - Brushed Platinum

---

IMO

33 527 670 Product version up to 5/10/2021

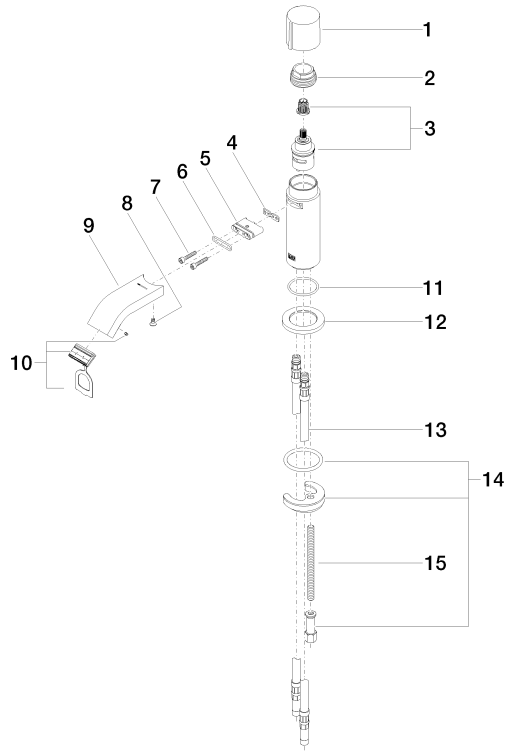
### Certificates and sustainability

---

LGA\_19

ETA\_19

GDV\_0400



### Spare parts list

No.	Item Number	Name	Quantity used	Delivery time
15	09 31 11 012 90	pin	1.00	2
10	90 29 03 045 00 90	aerator	1.00	2
9	09 28 22 238-06	spout	1.00	10
7	09 30 30 182 90	screw	2.00	2
11	09 14 10 104 90	seal	1.00	2
1	09 20 67 001-06	handle	1.00	10
3	90 90 03 162 00 90	top	1.00	2
13	04 30 04 016 00 90	hose	2.00	60
12	09 27 67 003-06	rosette	1.00	10
4	09 14 03 131 90	seal	1.00	2
2	09 23 10 065-06	nut	1.00	10
8	09 30 30 116 90	screw	1.00	2
6	09 14 10 053 90	seal	1.00	2
5	09 11 03 061 90	connection	1.00	2
14	04 30 11 038 00 90	fixing set	1.00	2