

IMO Single-lever basin mixer with raised base without pop-up waste - Brushed Platinum

IMO

33 537 670 Product version up to 10/10/2018

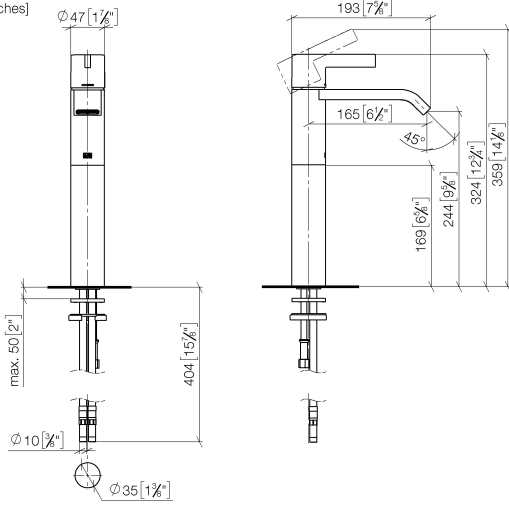


- 165mm projection
- fixed spout
- rectangular, air-enriched flow
- height of mixer 358 mm
- height up to aerator 247 mm
- hole diameter 35 mm
- 2x screw-in M 10 x 1 pressure hose, leak-tested
- max. flow 7 l/min
- lead-free
- This product can help a building meet the requirements of Green Building Rating Systems, e.g. LEED®, BREEAM®, DGNB

for use on countertop bowls

33 537 670 Product version up to 10/10/2018

mm [inches]



Flow rate chart



Codes & Standards

DIN 4109

EN 817

Executive Order
no. 1007

ISO 3822

Ü-Zeichen

VA-Zeichen



IMO Single-lever basin mixer with raised base without pop-up waste - Brushed
Platinum

IMO

33 537 670 Product version up to 10/10/2018

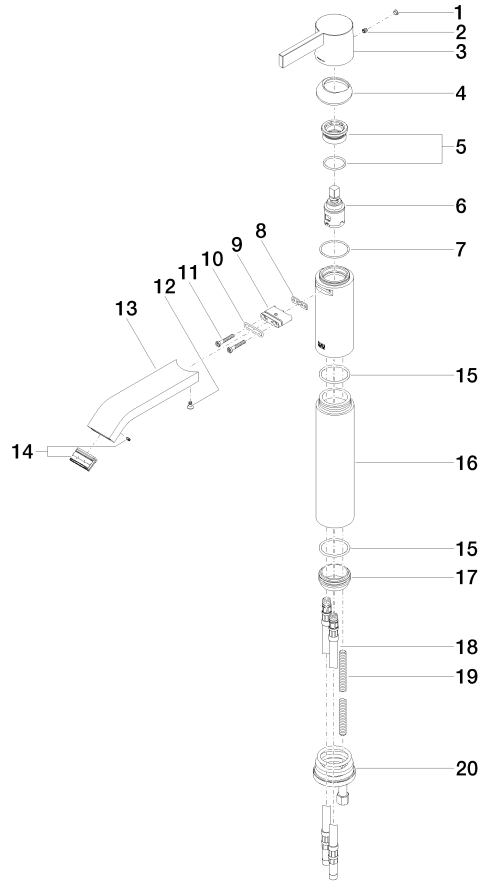
Certificates and sustainability

ETA_19

LGA_19

GDV_0400

33 537 670 Product version up to 10/10/2018



Spare parts list

No.	Item Number	Name	Quantity used	Delivery time
	8 09 14 03 131 90	seal	1.00	2
	15 09 14 10 119 90	seal	1.00	2
	10 09 14 10 053 90	seal	1.00	2
	3 09 20 67 003-06	handle	1.00	10
	4 09 28 30 019-06	cover	1.00	10
	13 09 28 22 240-06	spout	1.00	10
	12 09 30 30 116 90	screw	1.00	2
	19 09 31 11 095 90	pin	1.00	2
	16 09 28 22 244 20-06	pipe	1.00	10
	17 09 28 10 109-07	ring	1.00	30
	20 04 30 11 085 88 90	fixing set	1.00	2
	11 09 30 30 084 90	screw	2.00	2
	9 09 11 03 061 90	connection	1.00	2
	7 09 14 10 102 90	seal	1.00	2
	14 90 29 03 045 00 90	aerator	1.00	2
	18 04 30 04 017 00 90	hose	2.00	60
	1 90 31 20 087 00-06	plug	1.00	10
	5 90 23 10 066 00 90	nut	1.00	2
	6 90 15 05 042 00 90	cartridge	1.00	2
	2 90 31 11 030 00 90	pin	1.00	2