

Single-lever bidet mixer with pop-up waste - Brushed Platinum

SERIES SPECIFIC

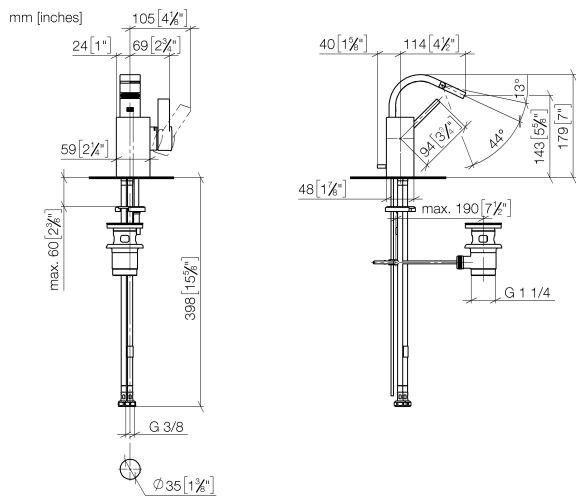
33 600 782 Product version from 3/10/2014 to 3/20/2019



- 110mm projection
- ball-joint pivotable through 44°
- rectangular, air-enriched flow
- height of mixer 180 mm
- height up to aerator 140 mm
- hole diameter 35 mm
- 2x screw-in M 10 x 1 pressure hose, leak-tested
- max. flow 6 l/min
- WRAS

	Brushed Platinum	33 600 782-06
	Chrome	33 600 782-00
	Platinum	33 600 782-08
	Dark Chrome	33 600 782-19
	Brushed Durabronze (23kt Gold)	33 600 782-28
	Brushed Champagne (22kt Gold)	33 600 782-46
	Champagne (22kt Gold)	33 600 782-47
	Brushed Dark Platinum	33 600 782-99

33 600 782 Product version from 3/10/2014 to 3/20/2019



Flow rate chart



Codes & Standards

DIN 4109

ISO 3822

Scottish Water
Byelaws

UK Water Supply
Regulations

Ü-Zeichen



Single-lever bidet mixer with pop-up waste - Brushed Platinum

SERIES SPECIFIC

33 600 782 Product version from 3/10/2014 to 3/20/2019

Certificates and sustainability

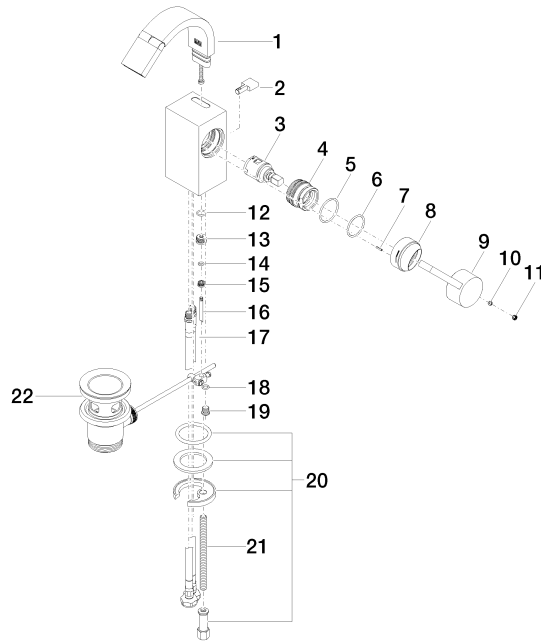
LGA_28

WRAS_1807

WRAS_240202

33 600 782 Product version from 3/10/2014 to 3/20/2019

Parts for other
finishes can be found
here: [Chrome](#)





Single-lever bidet mixer with pop-up waste - Brushed Platinum

SERIES SPECIFIC

33 600 782 Product version from 3/10/2014 to 3/20/2019

Spare parts list

No.	Item Number	Name	Quantity used	Delivery time
8	09 28 30 028-06	cover	1.00	10
1	90 28 22 265 00-06	spout	1.00	10
15	09 24 04 290 90	nipple	1.00	2
5	09 14 10 137 90	seal	1.00	2
16	09 31 09 080-06	pull-rod	1.00	10
7	09 31 11 152 90	pin	1.00	2
17	04 30 04 104 00 90	hose	2.00	2
12	09 14 10 042 90	seal	1.00	2
13	09 24 04 289-06	nipple	1.00	10
21	09 31 11 012 90	pin	1.00	2
3	90 15 05 042 00 90	cartridge	1.00	2
4	09 24 04 288 90	nut	1.00	2
9	09 20 78 057-06	handle	1.00	10
14	09 14 10 166 90	seal	1.00	2
18	09 14 10 132 90	seal	1.00	2
20	04 30 11 038 75 90	fixing set	1.00	2
2	09 20 78 032-06	handle	1.00	10
19	09 31 20 027 10-00	plug	1.00	10
22	90 11 01 001 00-06	pop-up waste	1.00	10
10	90 31 11 063 00 90	pin	1.00	2
11	90 31 20 109 00 90	plug	1.00	2
6	90 14 10 063 00 90	seal	1.00	2