



DORNBACHT YAMOU Single-lever bidet mixer with pop-up waste - Chrome

33 600 831 Product version from 1/1/2023



- 118mm projection
- ball-joint pivotable through 15° (in any direction)
- circular, air-enriched flow
- height of mixer 126 mm
- height up to aerator 90 mm
- hole diameter 35 mm
- 2x screw-in M 8 x 1 pressure hose, leak-tested
- max. flow 6.8 l/min
- WRAS



Chrome

33 600 831-00



Soft Black

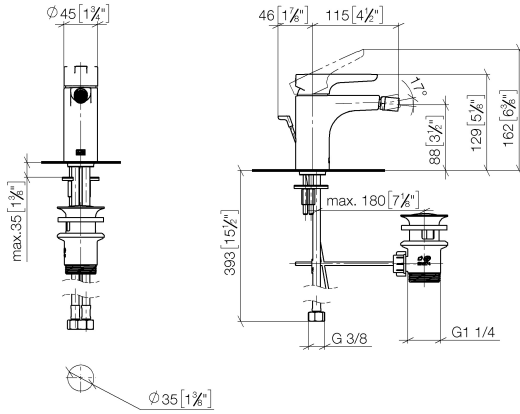
33 600 831-69



DORNBRACHT YAMOU Single-lever bidet mixer with pop-up waste - Chrome

33 600 831 Product version from 1/1/2023

mm [inches]



Flow rate chart



Codes & Standards

DIN 4109

ISO 3822

Scottish Water
Byelaws

UK Water Supply
Regulations

Ü-Zeichen

XP P 41-280



DORNBACHT YAMOU Single-lever bidet mixer with pop-up waste - Chrome

33 600 831 Product version from 1/1/2023

Certificates

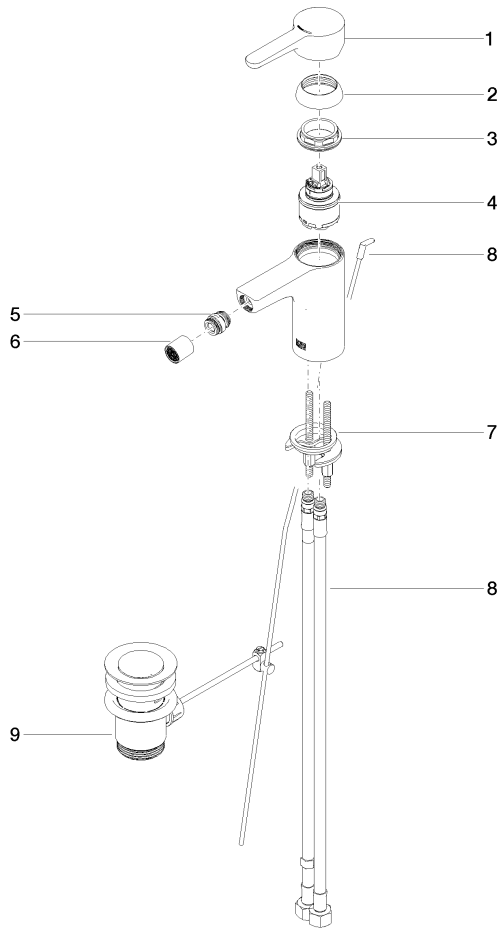
AbP_10

ACS_23 ACC NY

WRAS_240104

DORNBACHT YAMOU Single-lever bidet mixer with pop-up waste - Chrome

33 600 831 Product version from 1/1/2023



Spare parts list

No.	Item Number	Name	Quantity used	Delivery time
1	90 20 83 002 00-00	handle	1	2
2	90 21 02 400 00-00	cover	1	2
3	90 23 10 140 00 90	nut	1	2
4	90 15 05 502 00 90	cartridge	1	2
5	90 23 01 178 00-00	aerator	1	60
6	90 21 40 008 00-00	joint	1	2
7	90 30 11 504 00 90	fixing set	1	2
8	90 30 04 110 02 90	hose	1	2
9	90 11 01 200 00-00	pop-up waste	1	2