

**MEM Single-lever mixer - Champagne (22kt Gold)**

MEM

33 800 682



- 201mm projection
- pivotable spout 360°
- Optional swivel limiter available with swivel limiter set 12 820 970 90
- air-enriched flow
- max. flow 6.3 l/min at 3 bar flow pressure
- lead-free
- This product can help a building meet the requirements of Green Building Rating Systems, e.g. LEED®, BREEAM®, DGNB
- WRAS 240202021

	Champagne (22kt Gold)	33 800 682-47
	Chrome	33 800 682-00
	Brushed Platinum	33 800 682-06
	Platinum	33 800 682-08
	Durabrace (23kt Gold)	33 800 682-09
	Dark Chrome	33 800 682-19
	Brushed Durabrace (23kt Gold)	33 800 682-28
	Matte Black	33 800 682-33
	Brushed Champagne (22kt Gold)	33 800 682-46
	Brushed Chrome	33 800 682-93
	Brushed Dark Platinum	33 800 682-99

**Recommended miscellaneous**

**Swivel limitation set -** 12 820 970 90



**Recommended miscellaneous**

**Dispenser without rosette - Champagne (22kt Gold)** 82 424 970-47

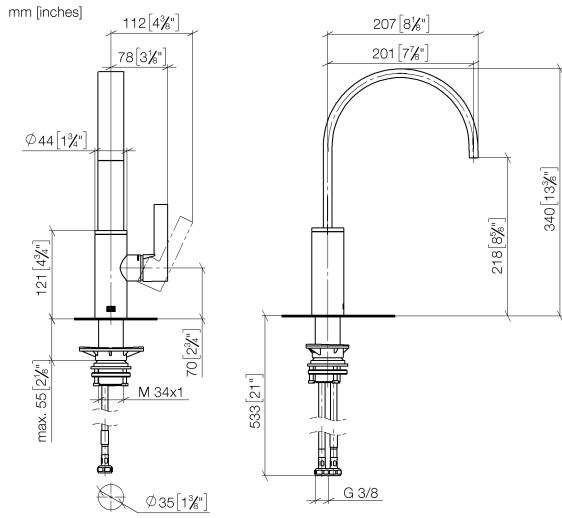


**Recommended miscellaneous**

**Strainer waste with control handle - Champagne (22kt Gold)** 10 712 970-47



33 800 682



**Flow rate chart**



**Codes & Standards**

DIN 4109

ISO 3822

Scottish Water  
Byelaws

UK Water Supply  
Regulations

**Ü-Zeichen**



MEM Single-lever mixer - Champagne (22kt Gold)

---

MEM

33 800 682

Certificates

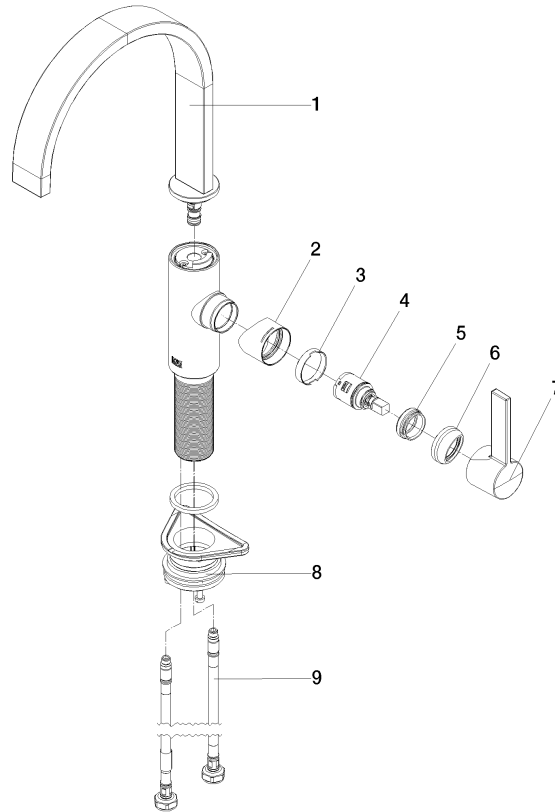
---

WRAS\_240202

LGA\_38

33 800 682

Product version from 3/1/2023





MEM Single-lever mixer - Champagne (22kt Gold)

MEM

33 800 682

**Spare parts list**

**Product version from 3/1/2023**

No.	Item Number	Name	Quantity used	Delivery time
	90 28 22 332 00-47	spout	10	-

Spare part can no longer be ordered, please order the replacement item