

33 805 861



- 166mm projection
- pivotable spout 360°
- Optional swivel limiter available with swivel limiter set 12 820 970 90
- air-enriched flow
- max. flow 8 l/min at 3 bar flow pressure
- lead-free
- This product can help a building meet the requirements of Green Building Rating Systems, e.g. LEED®, BREEAM®, DGNB

|  |                               |               |
|--|-------------------------------|---------------|
|   | Dark Chrome                   | 33 805 861-19 |
|   | Chrome                        | 33 805 861-00 |
|   | Brushed Platinum              | 33 805 861-06 |
|   | Platinum                      | 33 805 861-08 |
|   | Durabross (23kt Gold)         | 33 805 861-09 |
|   | Brushed Durabross (23kt Gold) | 33 805 861-28 |
|   | Matte Black                   | 33 805 861-33 |
|   | Brushed Champagne (22kt Gold) | 33 805 861-46 |
|   | Champagne (22kt Gold)         | 33 805 861-47 |
|   | Brushed Chrome                | 33 805 861-93 |
|  | Brushed Dark Platinum         | 33 805 861-99 |

**Recommended miscellaneous**

**Swivel limitation set -** 12 820 970 90



**Recommended miscellaneous**

**Strainer waste with control handle - Dark Chrome** 10 712 970-19

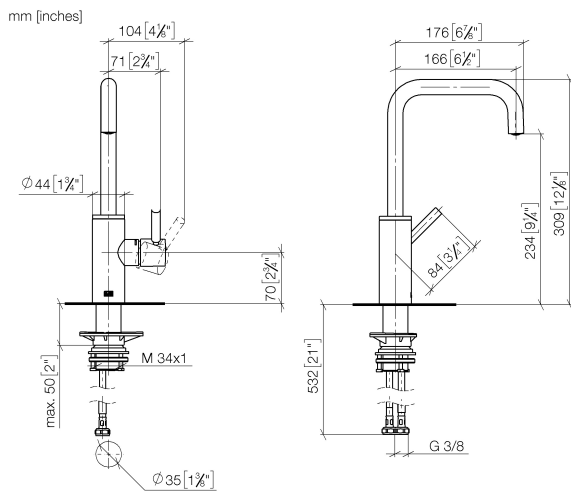


**Recommended miscellaneous**

**Dispenser without rosette - Dark Chrome** 82 424 970-19



33 805 861



**Flow rate chart**

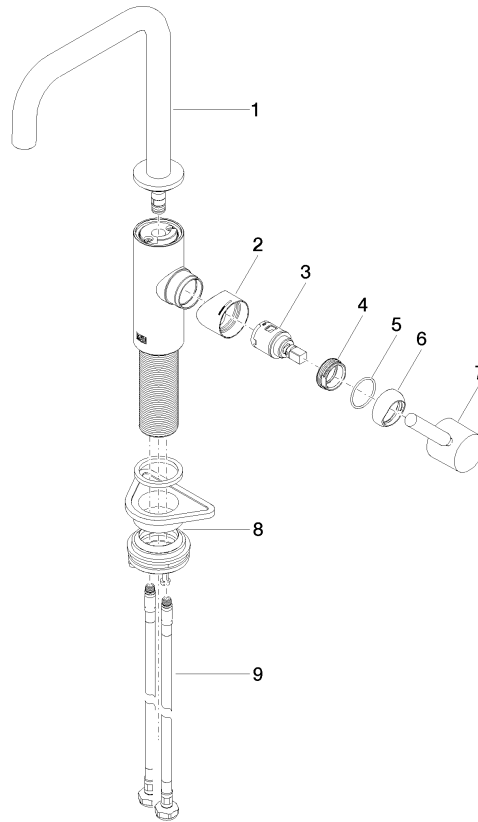


**Certificates**

LGA\_38642.

WRAS\_240102021.

33 805 861



**Spare parts list**

| No.  | Item Number        | Name       | Quantity used | Delivery time |
|--|--------------------|------------|---------------|---------------|
| 1  | 90 28 22 285 00-19 | spout      | 1             | -             |
| Spare part can no longer be ordered, please order the replacement item |                    |            |               |               |
| 2  | 09 19 86 012-19    | cover      | 1             | 60            |
| 3  | 90 15 05 042 00 90 | cartridge  | 1             | 2             |
| 4  | 09 24 04 266 90    | nut        | 1             | 2             |
| 5  | 09 14 10 091 90    | seal       | 1             | 2             |
| 6  | 90 28 30 052 00-19 | cover      | 1             | 20            |
| 7  | 90 20 66 003 00-19 | handle     | 1             | 20            |
| 8  | 04 23 10 044 08 90 | fixing set | 1             | 2             |
| 9  | 04 30 04 101 00 90 | hose       | 2             | 2             |