


33 815 861




- 235mm projection
- pivotable spout 360°
- Optional swivel limiter available with swivel limiter set 12 820 970 90
- air-enriched flow
- max. flow 8 l/min at 3 bar flow pressure
- lead-free
- This product can help a building meet the requirements of Green Building Rating Systems, e.g. LEED®, BREEAM®, DGNB
- WRAS 240102021

|   |                               |               |
|---|-------------------------------|---------------|
|    | Brushed Durabron (23kt Gold)  | 33 815 861-28 |
|    | Chrome                        | 33 815 861-00 |
|    | Brushed Platinum              | 33 815 861-06 |
|    | Platinum                      | 33 815 861-08 |
|    | Durabron (23kt Gold)          | 33 815 861-09 |
|    | Dark Chrome                   | 33 815 861-19 |
|    | Matte Black                   | 33 815 861-33 |
|    | Brushed Champagne (22kt Gold) | 33 815 861-46 |
|   | Champagne (22kt Gold)         | 33 815 861-47 |
|  | Brushed Chrome                | 33 815 861-93 |
|  | Brushed Dark Platinum         | 33 815 861-99 |


**Recommended miscellaneous**

|   |                                |               |
|---|--------------------------------|---------------|
|  | <b>Swivel limitation set -</b> | 12 820 970 90 |
|---|--------------------------------|---------------|

**Recommended miscellaneous**

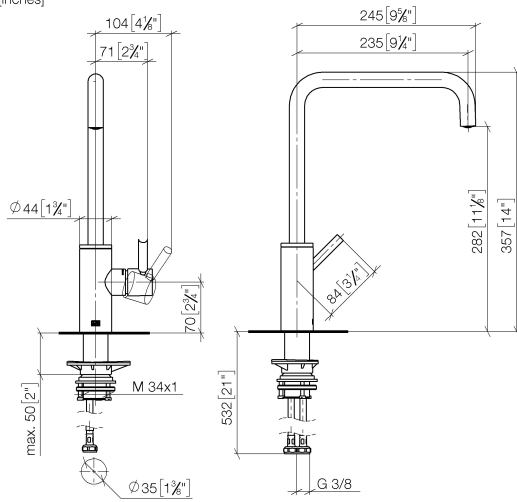
|   |  |               |
|---|--|---------------|
|  | <b>Strainer waste with control handle - Brushed Durabron (23kt Gold)</b> | 10 712 970-28 |
|---|--|---------------|

**Recommended miscellaneous**

|   |   |               |
|---|---|---------------|
|  | <b>Dispenser without rosette - Brushed Durabron (23kt Gold)</b> | 82 424 970-28 |
|---|---|---------------|

33 815 861

mm [inches]



**Flow rate chart**



**Certificates**

LGA\_38642.

WRAS\_240102021.

33 815 861



**Spare parts list**

| No. | Item Number        | Name       | Quantity used | Delivery time |
|-----|--------------------|------------|---------------|---------------|
| 1   | 90 28 22 284 00-28 | spout      | 1             | 20            |
| 2   | 90 15 05 042 00 90 | cartridge  | 1             | 2             |
| 3   | 09 24 04 266 90    | nut        | 1             | 2             |
| 4   | 90 28 30 052 00-28 | cover      | 1             | 20            |
| 5   | 90 20 66 033 00-28 | handle     | 1             | 20            |
| 6   | 04 23 10 044 08 90 | fixing set | 1             | 2             |
| 7   | 04 30 04 101 00 90 | hose       | 2             | 2             |