

33 815 861



- 235mm projection
- pivotable spout 360°
- Optional swivel limiter available with swivel limiter set 12 820 970 90
- air-enriched flow
- max. flow 8 l/min at 3 bar flow pressure
- lead-free
- This product can help a building meet the requirements of Green Building Rating Systems, e.g. LEED®, BREEAM®, DGNB
- WRAS 240102021

|   |                               |               |
|---|-------------------------------|---------------|
|    | Matte Black                   | 33 815 861-33 |
|    | Chrome                        | 33 815 861-00 |
|    | Brushed Platinum              | 33 815 861-06 |
|    | Platinum                      | 33 815 861-08 |
|    | Durabross (23kt Gold)         | 33 815 861-09 |
|    | Dark Chrome                   | 33 815 861-19 |
|    | Brushed Durabross (23kt Gold) | 33 815 861-28 |
|    | Brushed Champagne (22kt Gold) | 33 815 861-46 |
|    | Champagne (22kt Gold)         | 33 815 861-47 |
|   | Brushed Chrome                | 33 815 861-93 |
|  | Brushed Dark Platinum         | 33 815 861-99 |

**Recommended miscellaneous**

**Swivel limitation set -** 12 820 970 90



**Recommended miscellaneous**

**Strainer waste with control handle - Matte Black** 10 712 970-33



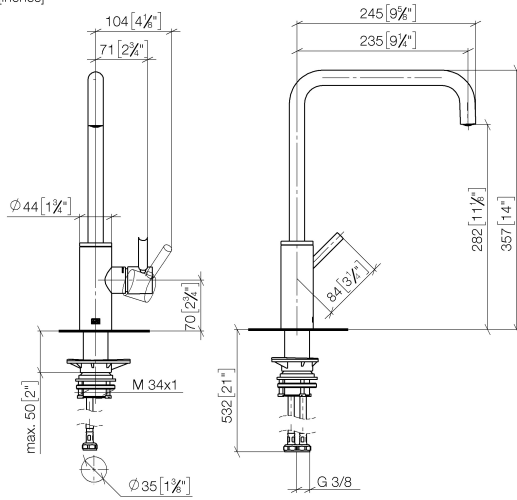
**Recommended miscellaneous**

**Dispenser without rosette - Matte Black** 82 424 970-33

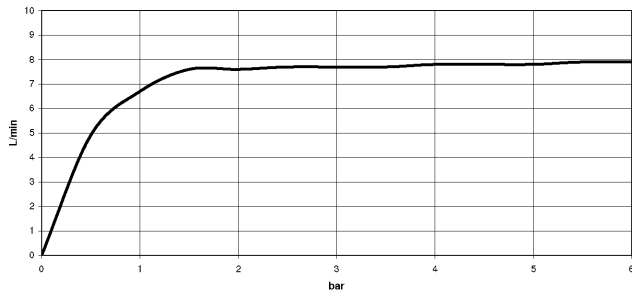


33 815 861

mm [inches]



**Flow rate chart**

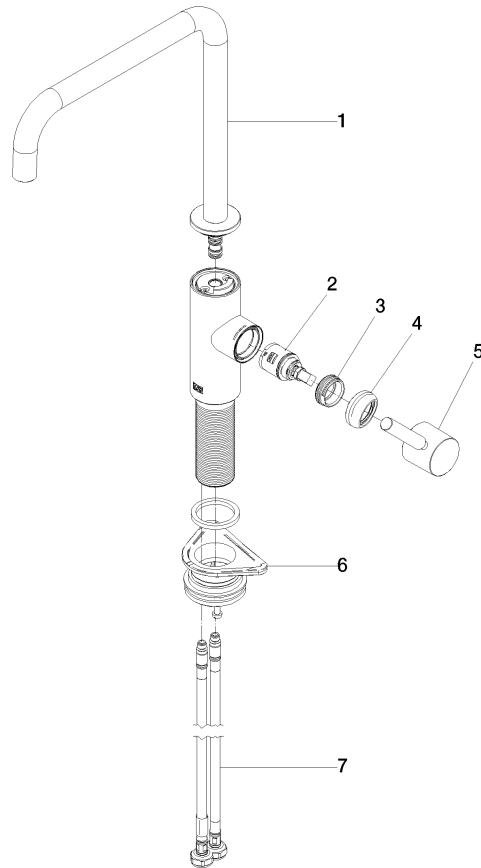


**Certificates**

LGA\_38642.

WRAS\_240102021.

33 815 861



**Spare parts list**

| No. | Item Number        | Name       | Quantity used | Delivery time |
|-----|--------------------|------------|---------------|---------------|
| 1   | 90 28 22 284 00-33 | spout      | 1             | 30            |
| 2   | 90 15 05 042 00 90 | cartridge  | 1             | 2             |
| 3   | 09 24 04 266 90    | nut        | 1             | 2             |
| 4   | 90 28 30 052 00-33 | cover      | 1             | 30            |
| 5   | 90 20 66 033 00-33 | handle     | 1             | 30            |
| 6   | 04 23 10 044 08 90 | fixing set | 1             | 2             |
| 7   | 04 30 04 101 00 90 | hose       | 2             | 2             |