

TARA Single-lever mixer - Dark Chrome

TARA

33 815 888



- 236mm projection
- pivotable spout 360°
- air-enriched flow
- height of mixer 400 mm
- height up to aerator 230 mm
- hole diameter 35 mm
- max. flow 7 l/min at 3 bar flow pressure
- lead-free
- WRAS 1705020
- This product can help a building meet the requirements of Green Building Rating Systems, e.g. LEED®, BREEAM®, DGNB

| | | |
|---|-------------------------------|---------------|
|  | Dark Chrome | 33 815 888-19 |
|  | Chrome | 33 815 888-00 |
|  | Brushed Platinum | 33 815 888-06 |
|  | Platinum | 33 815 888-08 |
|  | Durabrand (23kt Gold) | 33 815 888-09 |
|  | Brushed Durabrand (23kt Gold) | 33 815 888-28 |
|  | Matte Black | 33 815 888-33 |
|  | Brushed Champagne (22kt Gold) | 33 815 888-46 |
|  | Champagne (22kt Gold) | 33 815 888-47 |
|  | Brushed Chrome | 33 815 888-93 |
|  | Brushed Dark Platinum | 33 815 888-99 |

Recommended miscellaneous

Dispenser with rosette - Dark Chrome 82 444 970-19

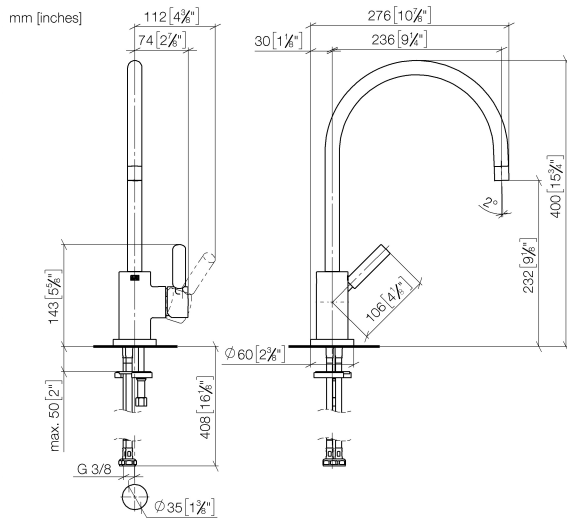


Recommended miscellaneous

Strainer waste with control handle - Dark Chrome 10 710 970-19



33 815 888



Flow rate chart



Certificates

GDV_0400195.

WRAS_2311044.

33 815 888

Parts for other
finishes can be found
here: [Chrome](#)

