

VAIA Single-lever mixer - Champagne (22kt Gold)

VAIA

33 816 809



- 241mm projection
- pivotable spout 360°
- air-enriched flow
- max. flow 7 l/min at 3 bar flow pressure
- lead-free
- This product can help a building meet the requirements of Green Building Rating Systems, e.g. LEED®, BREEAM®, DGNB

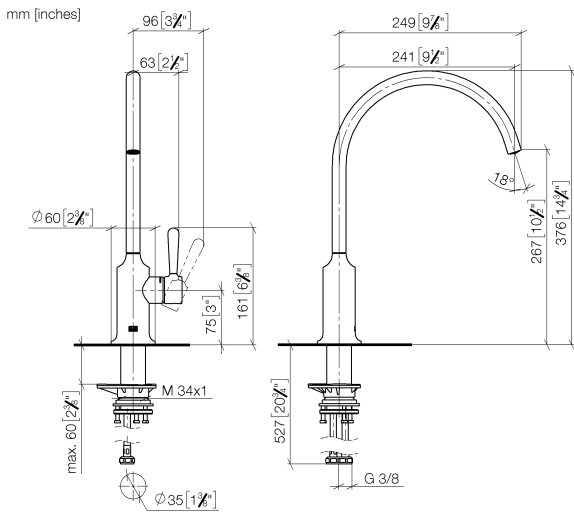
	Champagne (22kt Gold)	33 816 809-47
	Chrome	33 816 809-00
	Brushed Platinum	33 816 809-06
	Platinum	33 816 809-08
	Durabress (23kt Gold)	33 816 809-09
	Dark Chrome	33 816 809-19
	Brushed Durabress (23kt Gold)	33 816 809-28
	Matte Black	33 816 809-33
	Brushed Champagne (22kt Gold)	33 816 809-46
	Brushed Chrome	33 816 809-93
	Brushed Dark Platinum	33 816 809-99

Recommended miscellaneous

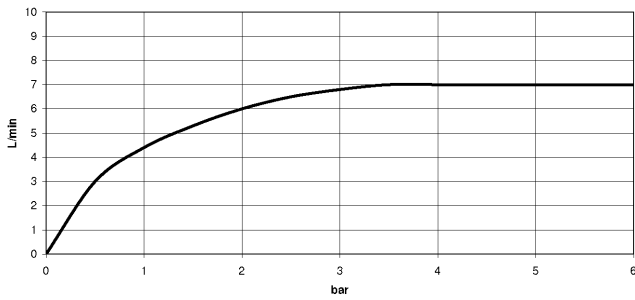
VAIA Dispenser with rosette - Champagne (22kt Gold) 82 434 809-47



33 816 809



Flow rate chart



Codes & Standards

DIN 4109

ISO 3822

Scottish Water
Byelaws

UK Water Supply
Regulations

Ü-Zeichen



VAIA Single-lever mixer - Champagne (22kt Gold)

VAIA

33 816 809

Certificates

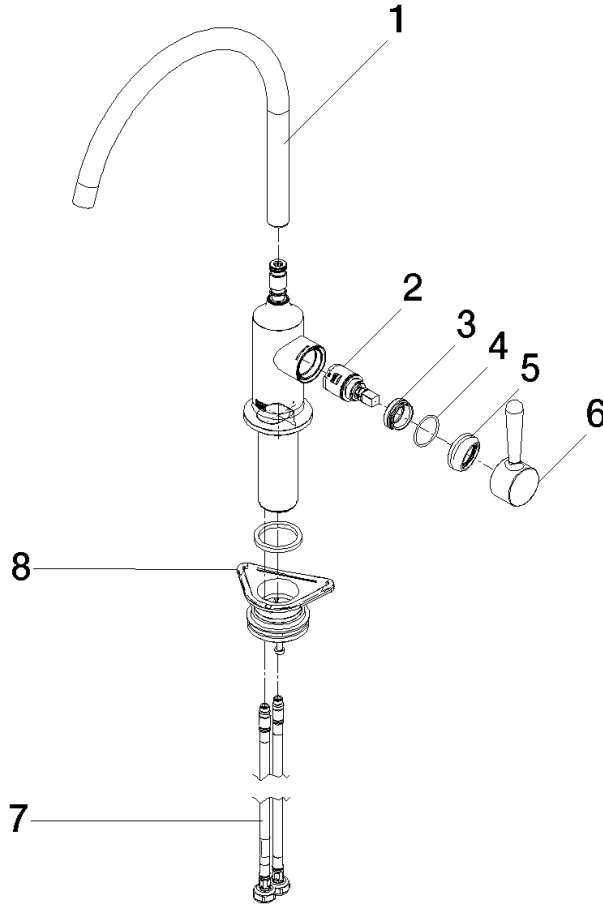
LGA_29

WRAS_240602

33 816 809

Product version from 7/1/2023

Parts for other finishes can be found here: [Chrome](#)





VAIA Single-lever mixer - Champagne (22kt Gold)

VAIA

33 816 809

Spare parts list

Product version from 7/1/2023

No.	Item Number	Name	Quantity used	Delivery time
	90 28 22 396 00-47	spout	9	30