

## TARA Single-lever mixer for rinsing/Profi spray - Dark Chrome

33 826 888



- 235mm projection
- pivotable spout 360°
- air-enriched flow
- height of mixer 400 mm
- height up to aerator 230 mm
- single-lever mixer hole diameter 35mm
- max. flow 7 l/min at 3 bar flow pressure
- lead-free
- WRAS 1705020
- This product can help a building meet the requirements of Green Building Rating Systems, e.g. LEED®, BREEAM®, DGNB

Single-lever mixer for combining with rinsing/Profi spray only

|   |                               |               |
|---|-------------------------------|---------------|
|    | Dark Chrome                   | 33 826 888-19 |
|    | Chrome                        | 33 826 888-00 |
|    | Brushed Platinum              | 33 826 888-06 |
|    | Platinum                      | 33 826 888-08 |
|    | Durabrand (23kt Gold)         | 33 826 888-09 |
|    | Brushed Durabrand (23kt Gold) | 33 826 888-28 |
|    | Matte Black                   | 33 826 888-33 |
|    | Brushed Champagne (22kt Gold) | 33 826 888-46 |
|    | Champagne (22kt Gold)         | 33 826 888-47 |
|   | Brushed Chrome                | 33 826 888-93 |
|  | Brushed Dark Platinum         | 33 826 888-99 |

### Recommended miscellaneous



**Rinsing spray set - Dark Chrome** 27 721 970-19

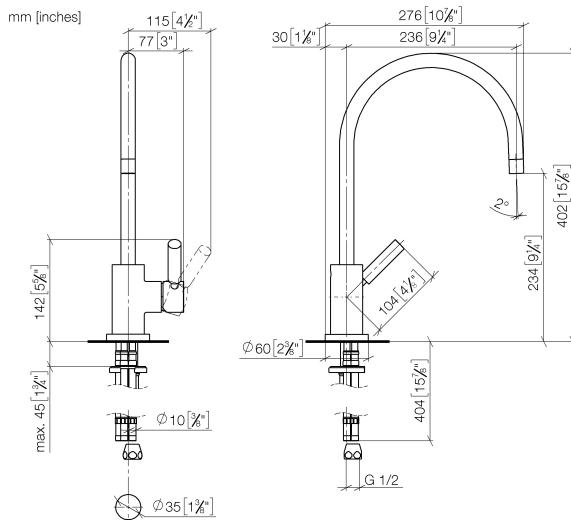
### Recommended miscellaneous



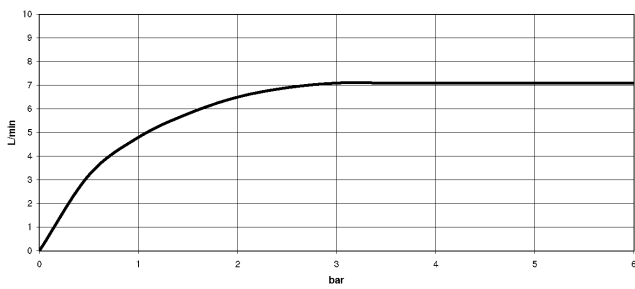
**Profi spray set - Dark Chrome** 27 789 970-19

**TARA Single-lever mixer for rinsing/Profi spray - Dark Chrome**

33 826 888



**Flow rate chart**



**Certificates**

LGA\_18901.

WRAS\_2311044.

## TARA Single-lever mixer for rinsing/Profi spray - Dark Chrome

33 826 888

Parts for other  
finishes can be found  
here: [Chrome](#)

