

**TARA Single-lever mixer for rinsing/Profi spray - Brushed Champagne (22kt Gold)**

33 826 888



- 235mm projection
- pivotable spout 360°
- air-enriched flow
- height of mixer 400 mm
- height up to aerator 230 mm
- single-lever mixer hole diameter 35mm
- max. flow 7 l/min at 3 bar flow pressure
- lead-free
- WRAS 1705020
- This product can help a building meet the requirements of Green Building Rating Systems, e.g. LEED®, BREEAM®, DGNB

Single-lever mixer for combining with rinsing/Profi spray only

	Brushed Champagne (22kt Gold)	33 826 888-46
	Chrome	33 826 888-00
	Brushed Platinum	33 826 888-06
	Platinum	33 826 888-08
	Durabross (23kt Gold)	33 826 888-09
	Dark Chrome	33 826 888-19
	Brushed Durabross (23kt Gold)	33 826 888-28
	Matte Black	33 826 888-33
	Champagne (22kt Gold)	33 826 888-47
	Brushed Chrome	33 826 888-93
	Brushed Dark Platinum	33 826 888-99

**Recommended miscellaneous**



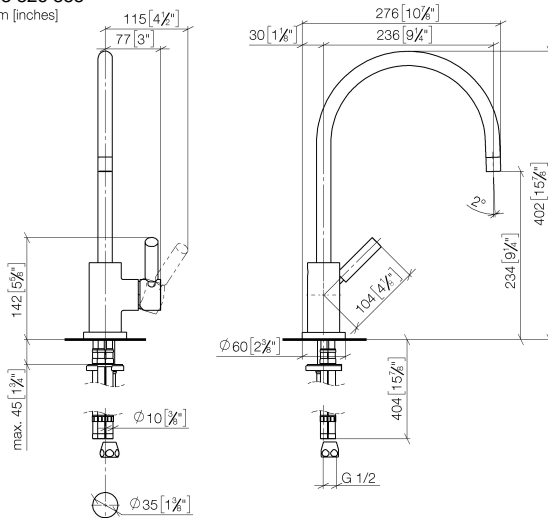
**Rinsing spray set - Brushed Champagne (22kt Gold)**

27 721 970-46

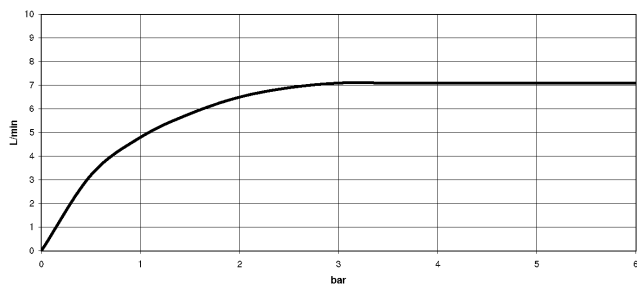
**TARA Single-lever mixer for rinsing/Profi spray - Brushed Champagne (22kt Gold)**

33 826 888

mm [inches]



**Flow rate chart**



**Certificates**

LGA\_18901.

WRAS\_2311044.



# TARA Single-lever mixer for rinsing/Profi spray - Brushed Champagne (22kt Gold)

33 826 888  
Parts for other  
finishes can be found  
here: [Chrome](#)

