

33 865 895



- 200mm projection
- Flexible silicone hose with large operating range of up to 350 mm
- pivotable spout 360°
- Optional swivel limiter available with swivel limiter set 12 821 970 90
- This product can help a building meet the requirements of Green Building Rating Systems, e.g. LEED®, BREEAM®, DGNB
- air-enriched flow and spray flow
- height of mixer 451 mm
- height up to aerator 119 mm
- hole diameter 35 mm
- sprayface with anti-scaling system
- max. flow 9.5 l/min at 3 bar flow pressure
- lead-free

Intrinsic protection against back flow.

	Platinum	33 865 895-08
	Chrome	33 865 895-00
	Brushed Platinum	33 865 895-06
	Durabronze (23kt Gold)	33 865 895-09
	Dark Chrome	33 865 895-19
	Brushed Durabronze (23kt Gold)	33 865 895-28
	Matte Black	33 865 895-33
	Brushed Champagne (22kt Gold)	33 865 895-46
	Champagne (22kt Gold)	33 865 895-47
	Brushed Chrome	33 865 895-93
	Brushed Dark Platinum	33 865 895-99

Recommended miscellaneous

Swivel limitation set - 12 821 970 90



Recommended miscellaneous

Strainer waste with control handle - Platinum 10 712 970-08

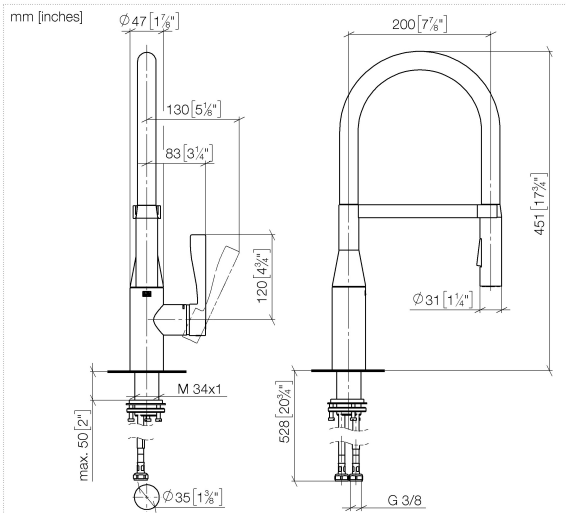


Recommended miscellaneous

Dispenser without rosette - Platinum 82 424 970-08



33 865 895



Flow rate chart



Codes & Standards

DIN 4109

EN 1717

ISO 3822

Ü-Zeichen



SYNC Profi single-lever mixer - Platinum

SYNC

33 865 895

Certificates

LGA_29

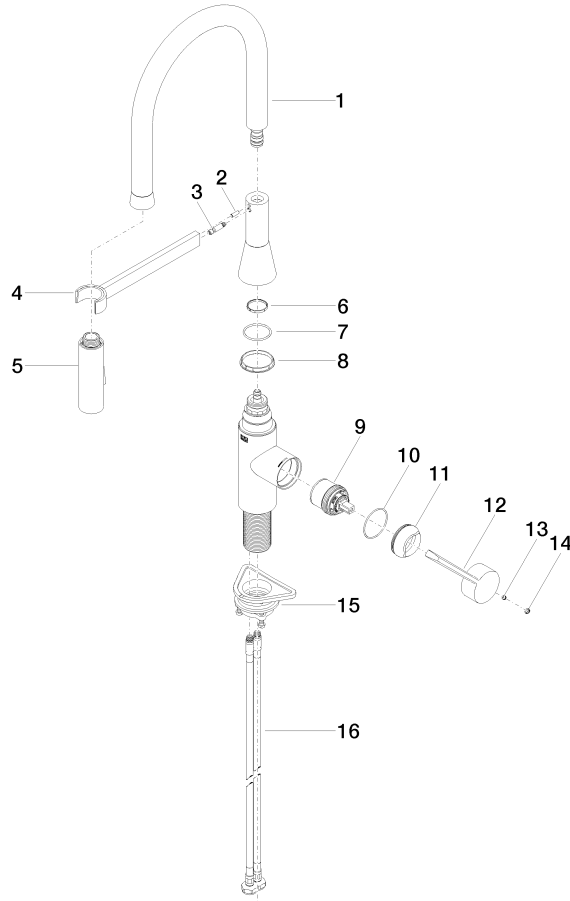
Belgaqua_21-027-2

33 865 895

Product version up to 5/19/2021

Product version from 5/19/2021 to 5/20/2021

Product version from 5/20/2021





SYNC Profi single-lever mixer - Platinum

SYNC

33 865 895

Spare parts list

Product version up to 5/19/2021

Product version from 5/19/2021 to 5/20/2021

Product version from 5/20/2021

No.	Item Number	Name	Quantity used	Delivery time
	90 30 02 100 00-08	hose	17	40