

33 870 861



- 240mm projection
- pivotable spout 360°
- Optional swivel limiter available with swivel limiter set 12 823 970 90
- laminar and spray flow
- 1800 mm metal shower hose
- sprayface with anti-scaling system
- max. flow 10.4 l/min at 3 bar flow pressure
- lead-free
- This product can help a building meet the requirements of Green Building Rating Systems, e.g. LEED®, BREEAM®, DGNB

Intrinsic protection against back flow.

| | | |
|--|-------------------------------|---------------|
| | Platinum | 33 870 861-08 |
| | Chrome | 33 870 861-00 |
| | Brushed Platinum | 33 870 861-06 |
| | Durabrace (23kt Gold) | 33 870 861-09 |
| | Dark Chrome | 33 870 861-19 |
| | Brushed Durabrace (23kt Gold) | 33 870 861-28 |
| | Matte Black | 33 870 861-33 |
| | Brushed Champagne (22kt Gold) | 33 870 861-46 |
| | Champagne (22kt Gold) | 33 870 861-47 |
| | Brushed Chrome | 33 870 861-93 |
| | Brushed Dark Platinum | 33 870 861-99 |

Recommended miscellaneous

| | | |
|--|--------------------------------|---------------|
| | Swivel limitation set - | 12 823 970 90 |
|--|--------------------------------|---------------|

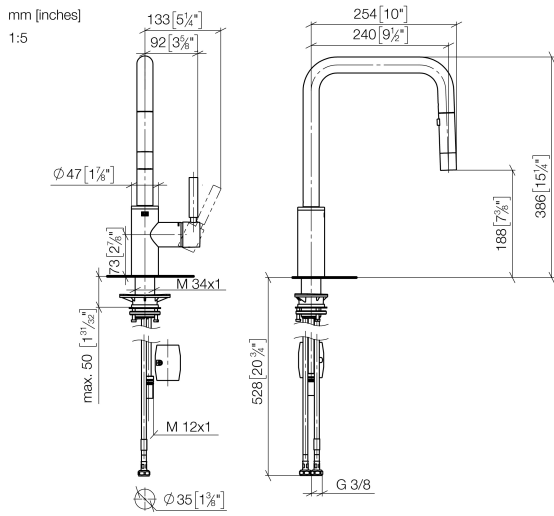
Recommended miscellaneous

| | | |
|--|--|---------------|
| | Strainer waste with control handle - Platinum | 10 712 970-08 |
|--|--|---------------|

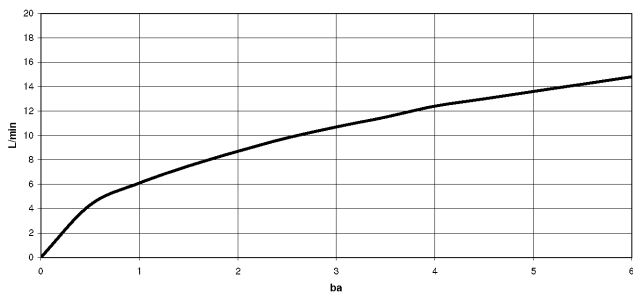
Recommended miscellaneous

| | | |
|--|---|---------------|
| | Dispenser without rosette - Platinum | 82 424 970-08 |
|--|---|---------------|

33 870 861



Flow rate chart

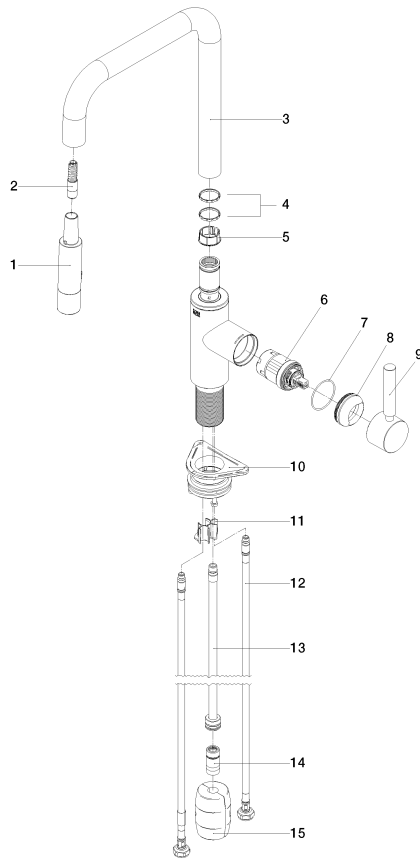


Certificates

LGA_38641.

Belgaqua_24-005-
27_3.

33 870 861



Spare parts list

| No. | Item Number | Name | Quantity used | Delivery time |
|--|--------------------|-------------|---------------|---------------|
| 1 | 90 12 11 148 00-08 | shower | 1 | 40 |
| 2 | 04 30 02 120 00-85 | hose | 1 | 30 |
| 3 | 90 28 22 308 00-08 | spout | 1 | - |
| Spare part can no longer be ordered, please order the replacement item | | | | |
| 4 | 09 28 10 160 90 | ring | 2 | 2 |
| 5 | 09 18 40 186 90 | sleeve | 1 | 2 |
| 6 | 90 15 05 064 05 90 | cartridge | 1 | 2 |
| 7 | 09 14 10 190 90 | seal | 1 | 2 |
| 8 | 09 28 30 030-08 | cover | 1 | 40 |
| 9 | 90 20 66 027 00-08 | handle | 1 | 40 |
| 10 | 04 30 11 040 00 90 | fixing set | 1 | 2 |
| 11 | 09 20 93 056 90 | insert | 1 | 2 |
| 12 | 04 30 04 100 00 90 | hose | 2 | 2 |
| 13 | 04 28 20 067 00 90 | pipe | 1 | 2 |
| 14 | 90 24 03 253 00 90 | adaptor | 1 | 2 |
| 15 | 04 21 50 010 00 90 | accessories | 1 | 2 |