

**TARA Shower pipe with shower thermostat without hand shower FlowReduce
220 mm - Platinum**

TARA

34 458 892 Product version from 5/1/2022



- shower with fixed riser projection 452mm
- Rain shower: PURE RAIN, max. flow rate 7 l/min (at 3 bar)
- Function from: 6 l/min
- rain shower Ø 220 mm
- rain shower with anti-scale system
- rotary diverter with volume control and shut-off function
- slide-on rosettes Ø 70 mm
- height of fittings up to rain shower (bottom edge) 964mm
- height of fittings up to top edge of elbow 1267mm
- gauge 150 mm - 13 mm
- metal shower hose 1750mm with integrated anti-twist protection
- 1/2" connection
- slide bar
- Pipe diameter 23.5 mm
- This product can help a building meet the requirements of Green Building Rating Systems, e.g. LEED®, BREEAM®, DGNB
- WRAS

This article does not include a hand shower!

Intrinsic protection against back flow.


| | | |
|-------------------------------------------------------------------------------------|-------------------------------|---------------|
|  | Platinum | 34 458 892-08 |
|  | Chrome | 34 458 892-00 |
|  | Brushed Platinum | 34 458 892-06 |
|  | Dark Chrome | 34 458 892-19 |
|  | Brushed Durabrass (23kt Gold) | 34 458 892-28 |
|  | Matte Black | 34 458 892-33 |
|  | Brushed Bronze | 34 458 892-42 |
|  | Brushed Champagne (22kt Gold) | 34 458 892-46 |
|  | Champagne (22kt Gold) | 34 458 892-47 |
|  | Brushed Chrome | 34 458 892-93 |
|  | Brushed Dark Platinum | 34 458 892-99 |

TARA Shower pipe with shower thermostat without hand shower FlowReduce 220 mm - Platinum


TARA

34 458 892 Product version from 5/1/2022

Required miscellaneous

| | | |
|-----------------------------------------------------------------------------------|------------------------------------------|-----------------------|
|  | Hand shower FlowReduce - Platinum | 28 016 979-08 0010 |
|-----------------------------------------------------------------------------------|------------------------------------------|-----------------------|

Required miscellaneous

| | | |
|-----------------------------------------------------------------------------------|------------------------------------------|-----------------------|
|  | Hand shower FlowReduce - Platinum | 28 012 979-08 0010 |
|-----------------------------------------------------------------------------------|------------------------------------------|-----------------------|


Required miscellaneous

| | | |
|-----------------------------------------------------------------------------------|-------------------------------|---------------|
|  | Hand shower - Platinum | 28 016 979-08 |
|-----------------------------------------------------------------------------------|-------------------------------|---------------|

Required miscellaneous

| | | |
|-----------------------------------------------------------------------------------|-------------------------------|---------------|
|  | Hand shower - Platinum | 28 012 979-08 |
|-----------------------------------------------------------------------------------|-------------------------------|---------------|

Required miscellaneous

| | | |
|-------------------------------------------------------------------------------------|------------------------------------------|-----------------------|
|  | Hand shower FlowReduce - Platinum | 28 018 979-08 0010 |
|-------------------------------------------------------------------------------------|------------------------------------------|-----------------------|

Required miscellaneous

| | | |
|-------------------------------------------------------------------------------------|---------------------------------------------------------|-----------------------|
|  | SERIES-VARIOUS Hand shower FlowReduce - Platinum | 28 029 979-08 0010 |
|-------------------------------------------------------------------------------------|---------------------------------------------------------|-----------------------|


Required miscellaneous

| | | |
|-------------------------------------------------------------------------------------|----------------------------------------------|---------------|
|  | SERIES-VARIOUS Hand shower - Platinum | 28 029 979-08 |
|-------------------------------------------------------------------------------------|----------------------------------------------|---------------|

Required miscellaneous

| | | |
|-------------------------------------------------------------------------------------|---------------------------------------------------------|-----------------------|
|  | SERIES-VARIOUS Hand shower FlowReduce - Platinum | 28 025 979-08 0010 |
|-------------------------------------------------------------------------------------|---------------------------------------------------------|-----------------------|

Required miscellaneous

| | | |
|-----------------------------------------------------------------------------------|------------------------------------------|-----------------------|
|  | Hand shower FlowReduce - Platinum | 28 016 979-08 0010 |
|-----------------------------------------------------------------------------------|------------------------------------------|-----------------------|

Required miscellaneous

| | | |
|-----------------------------------------------------------------------------------|-------------------------------|---------------|
|  | Hand shower - Platinum | 28 017 979-08 |
|-----------------------------------------------------------------------------------|-------------------------------|---------------|

Required miscellaneous

| | | |
|-----------------------------------------------------------------------------------|-------------------------------|---------------|
|  | Hand shower - Platinum | 28 016 979-08 |
|-----------------------------------------------------------------------------------|-------------------------------|---------------|

Required miscellaneous

| | | |
|-----------------------------------------------------------------------------------|-------------------------------|---------------|
|  | Hand shower - Platinum | 28 018 979-08 |
|-----------------------------------------------------------------------------------|-------------------------------|---------------|

Required miscellaneous

| | | |
|-------------------------------------------------------------------------------------|---------------------------------------------------------|-----------------------|
|  | SERIES-VARIOUS Hand shower FlowReduce - Platinum | 28 029 979-08 0010 |
|-------------------------------------------------------------------------------------|---------------------------------------------------------|-----------------------|

Required miscellaneous

| | | |
|-------------------------------------------------------------------------------------|----------------------------------------------|---------------|
|  | SERIES-VARIOUS Hand shower - Platinum | 28 029 979-08 |
|-------------------------------------------------------------------------------------|----------------------------------------------|---------------|

Required miscellaneous

| | | |
|-------------------------------------------------------------------------------------|---------------------------------------------------------|-----------------------|
|  | SERIES-VARIOUS Hand shower FlowReduce - Platinum | 28 027 979-08 0010 |
|-------------------------------------------------------------------------------------|---------------------------------------------------------|-----------------------|

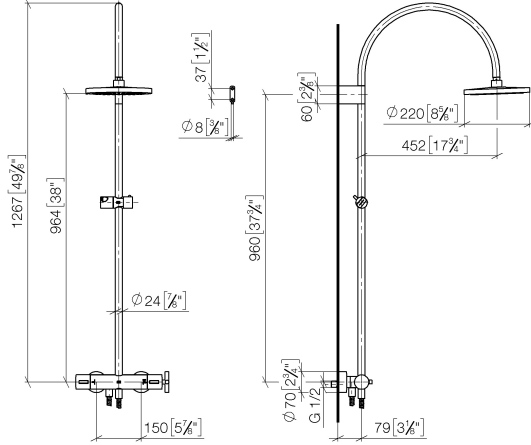
**TARA Shower pipe with shower thermostat without hand shower FlowReduce
220 mm - Platinum**

TARA

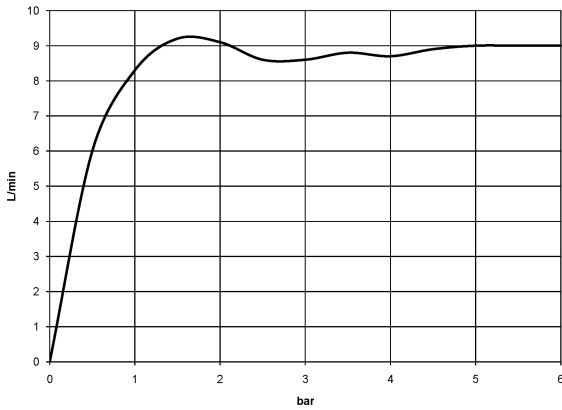
34 458 892 Product version from 5/1/2022

mm [inches]

1:10



Flow rate chart



Codes & Standards

DIN 4109

EN 1717

ISO 3822

Scottish Water
Byelaws

UK Water Supply
Regulations

Ü-Zeichen



TARA Shower pipe with shower thermostat without hand shower FlowReduce
220 mm - Platinum

TARA

34 458 892 Product version from 5/1/2022

Certificates

Belgaqua_22_283_2 WRAS_2204

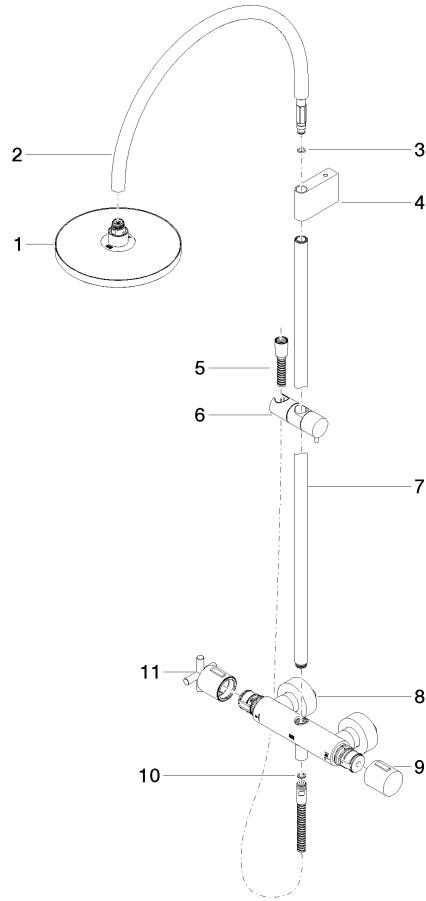
LGA_38

**TARA Shower pipe with shower thermostat without hand shower FlowReduce
220 mm - Platinum**

TARA

34 458 892 Product version from 5/1/2022

Parts for other finishes can be found here: [Chrome](#)



Spare parts list

| No. | Item Number | Name | Quantity used | Delivery time |
|-----|--------------------|----------------------------------------------------|---------------|---------------|
| 1 | 90 12 05 092 20-08 | shower | 1 | 40 |
| 2 | 04 28 22 346 00-08 | pipe | 1 | 40 |
| 3 | 09 14 10 008 90 | seal | 1 | 2 |
| 4 | 90 17 11 150 00-08 | holder | 1 | 40 |
| 5 | 28 322 970-08 | Metal shower hose 1/2" x 3/8" x 1750 mm - Platinum | 1 | 40 |
| 6 | 12 570 970-08 | Slide unit - Platinum | 1 | 40 |
| 7 | 90 28 22 349 00-08 | pipe | 1 | 40 |
| 8 | 04 17 01 250 00-08 | connection | 1 | 40 |
| 9 | 90 17 33 015 00-08 | handle | 1 | 40 |
| 10 | 90 14 20 026 00 90 | seal | 1 | 2 |
| 11 | 90 17 33 021 00-08 | handle | 1 | 40 |