

35 021 970 90



- lead-free, dezincification resistant
- safety combination
- 2x back flow preventer
- 2x male thread 1/2" connection
- 3x outlet G 1/2"
- dust cover
- anti-water packing
- sound and thermal insulation
- 2x integrated supply stop
- gauge 60 mm
- WRAS

Required miscellaneous



Drybox Concealed single-lever mixer with and without diverter - 39 121 970 90
 • Overflow is part of the scope of delivery.

Recommended miscellaneous



Extension 25 mm - 12 191 970 90
 • for concealed single-lever shower and bath mixer 36 12X SSS-FF

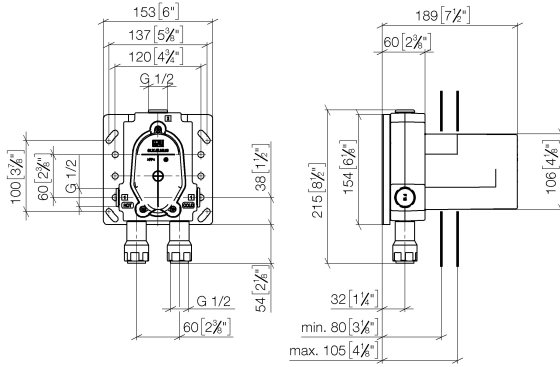
Recommended miscellaneous



Extension 25 mm - 12 190 970 90
 • for concealed single-lever shower and bath mixer 36 02X SSS-FF

35 021 970 90

mm [inches]



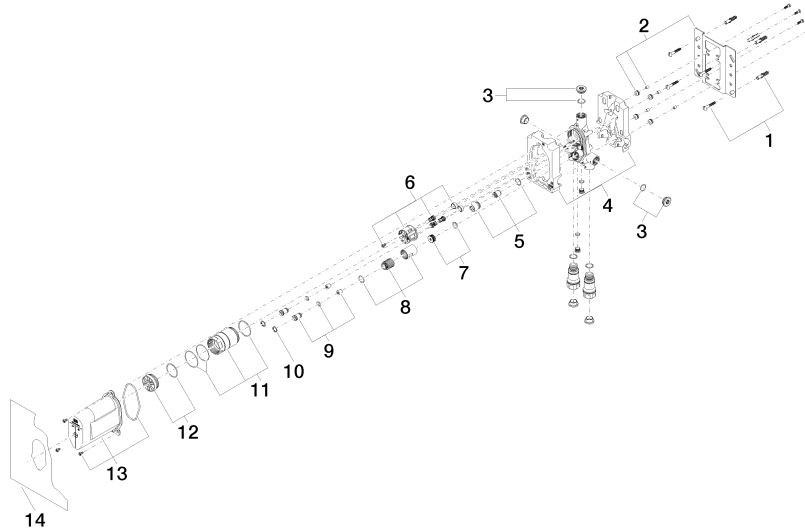
Codes & Standards

DIN 4109	EN 1717	EN 817	ISO 3822
Scottish Water Byelaws	UK Water Supply Regulations	Ü-Zeichen	

Certificates and sustainability

DVGW_DW-6512DN0	Belgaqua_21-385-27	LGA_19	WRAS_2207
-----------------	--------------------	--------	-----------

35 021 970 90



Spare parts list

No.	Item Number	Name	Quantity used	Delivery time
6	90 18 40 151 00 90	insert	1.00	2
13	90 21 02 148 00 90	cap	1.00	2
5	90 17 01 188 00 90	insert	1.00	2
14	04 14 03 155 00 90	gasket kit	1.00	2
8	90 17 01 189 00 90	sleeve	1.00	2
3	04 31 20 006 00 90	plug	2.00	2
4	09 11 11 058 90	accessories	1.00	2
7	90 31 20 098 00 90	plug	1.00	2
2	04 17 20 128 00 90	holder	1.00	2
10	09 16 01 014 90	ring	2.00	2
9	04 24 03 223 00 90	insert	2.00	2
11	90 17 01 187 00 90	sleeve	1.00	2
1	04 30 31 024 01 90	fixing set	2.00	2
12	04 31 20 100 00 90	plug	1.00	2