

## Concealed ceiling installation box for surface-mounted ceiling installation with light -

---

35 042 970 90



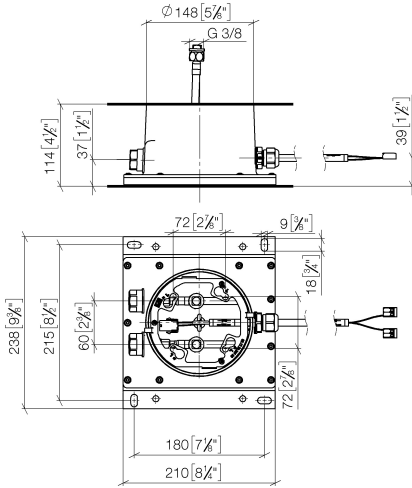
- concealed rough parts
- 2x female thread 1/2" connections
- Supply pipe 7 m
- Input 100-240V AC 50-60Hz
- Output 350 mA SELV / Class II
- Provided by customer: Light switch
- For simultaneous control of the jet types, we recommend the xTool thermostat module
- Not suitable for use in a steam room.
- WRAS 240502006



## Concealed ceiling installation box for surface-mounted ceiling installation with light -

---

35 042 970 90  
mm [inches]



### Codes & Standards

---

Scottish Water  
Byelaws

UK Water Supply  
Regulations

### Certificates

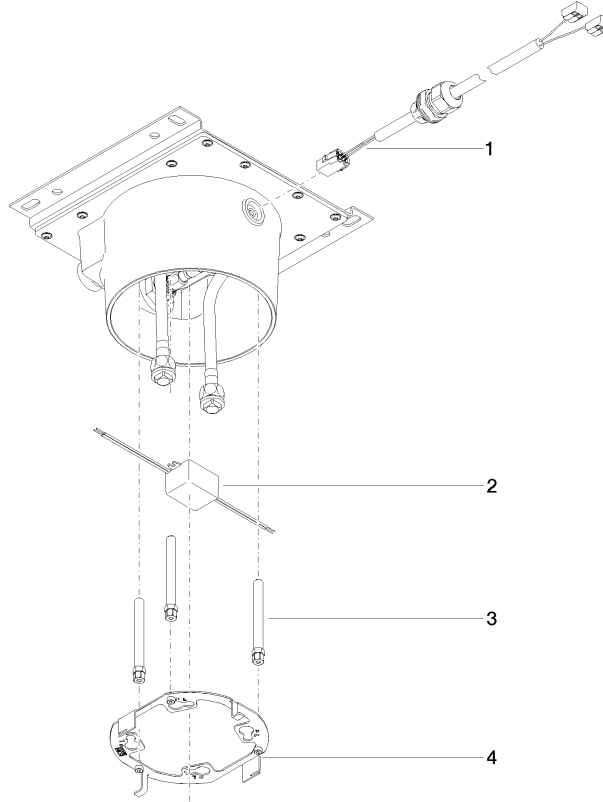
---

WRAS\_240502

# Concealed ceiling installation box for surface-mounted ceiling installation with light -

35 042 970 90

**Product version from 4/1/2022**





Concealed ceiling installation box for surface-mounted ceiling installation with light -

---

35 042 970 90

**Spare parts list**

**Product version from 4/1/2022**

No.	Item Number	Name	Quantity used	Delivery time
	90 10 01 227 00 90	electronic accessories	4	2