

35 425 970 90



- lead-free, dezincification resistant
- 2x back flow preventer
- 2x female thread 1/2" connections
- 3x outlet G 1/2"
- dust cover
- anti-water packing
- sound and thermal insulation
- suitable for xGRID (when using installation track + 12 mm recess depth)
- gauge 70 mm
- WRAS

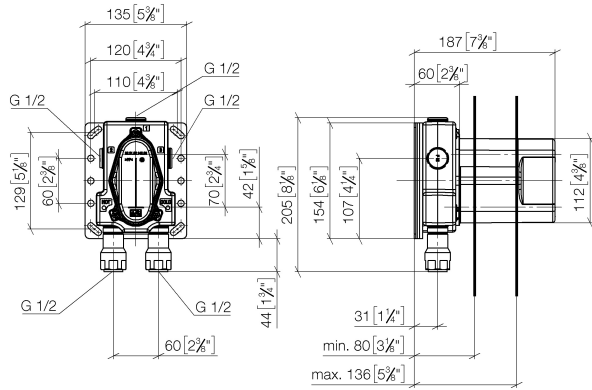
Required miscellaneous



- Drybox Concealed thermostat -** 39 426 970 90
- Overflow is part of the scope of delivery.

35 425 970 90

mm [inches]



Codes & Standards

EN 1111

EN 1717

Scottish Water
Byelaws

UK Water Supply
Regulations

VA-Zeichen

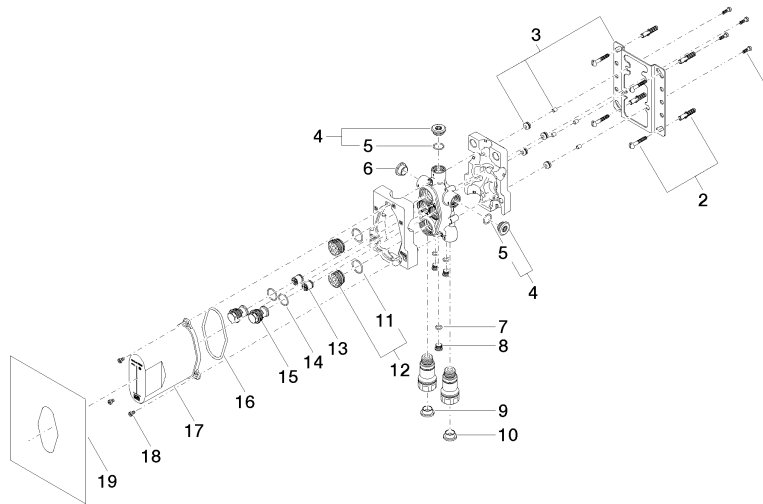
Certificates and sustainability

Belgaqua_21-031-2 ETA_20

DVGW_DW-
6512DN0

WRAS_1906

35 425 970 90



Spare parts list

No.	Item Number	Name	Quantity used	Delivery time
	15 09 24 03 219 90	nipple	2.00	2
	19 04 14 03 080 00 90	gasket kit	1.00	2
	13 90 23 01 040 00 90	back-flow preventer	2.00	2
	16 09 14 10 512 90	seal	1.00	2
	7 09 14 10 139 90	seal	3.00	2
	6 09 31 20 092 90	plug	1.00	2
	1 09 30 30 171 90	screw	4.00	2
	4 04 31 20 006 00 90	plug	2.00	2
	3 04 17 20 127 00 90	holder	1.00	2
	9 09 31 20 093 90	plug	1.00	2
	2 04 30 31 024 01 90	fixing set	2.00	2
	10 09 31 20 094 90	plug	1.00	2
	18 09 30 30 112 90	screw	3.00	2
	17 04 21 02 146 00 90	cap	1.00	2
	5 09 14 10 053 90	seal	1.00	2
	8 09 31 20 039 10 90	plug	3.00	60
	11 09 14 10 112 90	seal	2.00	2
	12 04 30 11 149 00 90	plug	2.00	2
	14 90 14 10 056 00 90	seal	2.00	2