



## xTOOL Concealed thermostat module with 3 valves -

---

35 534 970 90



- red brass, lead-free
- 2x back flow preventer
- 2x female thread 3/4" connections
- 1x female thread 3/4" outlet for additional valves
- 3x female thread 3/4" outlet
- 4x dust cover
- 4x anti-water packing
- soundproofing
- gauge 120 mm
- suitable for xGRID (when using installation track + 12 mm recess depth)
- WRAS 2011026

### Recommended miscellaneous

---

**Extension 28 mm -**

12 177 970 90



### Recommended miscellaneous

---

**Extension 46 mm -**

12 178 970 90



### Required miscellaneous

---



**Drybox Concealed thermostat -**

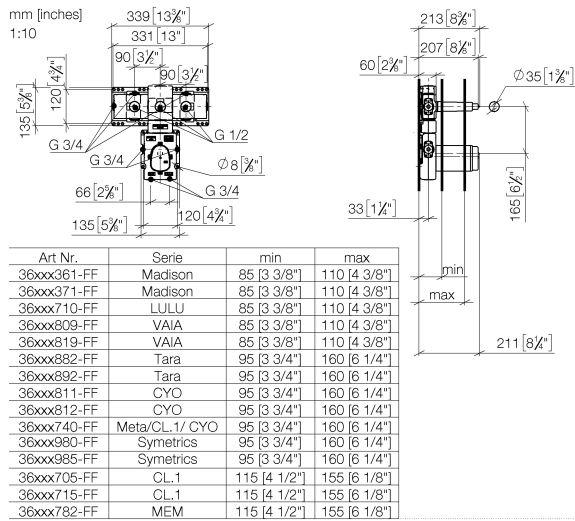
XS-08 3954

- Overflow is part of the scope of delivery.



## xTOOL Concealed thermostat module with 3 valves -

35 534 970 90



### Codes & Standards

EN 1111

EN 1717

Scottish Water  
Byelaws

UK Water Supply  
Regulations

XP P 41-280

### Certificates

ACS\_21 ACC LY

Belgaqua\_21-031-2 DVGW\_DW-  
6512DN0

WRAS\_2011

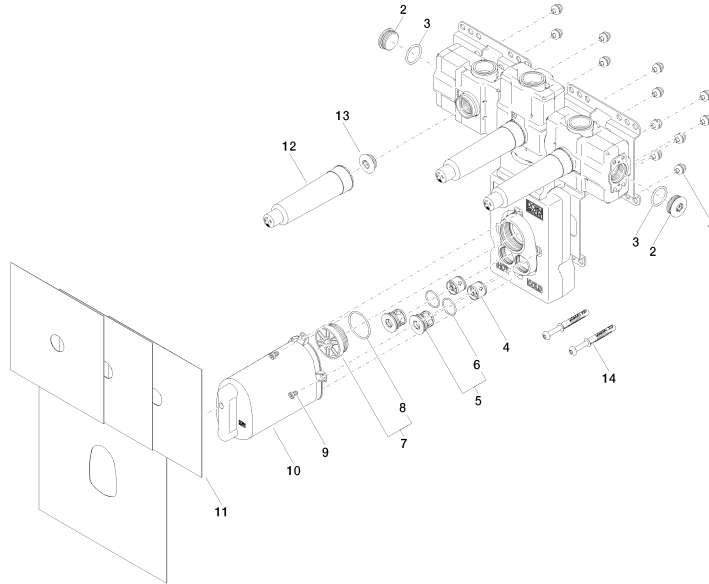


# xTOOL Concealed thermostat module with 3 valves -

35 534 970 90

Product version up to 11/25/2021

**Product version from 1/1/2022**





## xTOOL Concealed thermostat module with 3 valves -

---

35 534 970 90

### Spare parts list

Product version up to 11/25/2021

### Product version from 1/1/2022

No.	Item Number	Name	Quantity used	Delivery time
	90 23 01 091 00 90	set	43	2