

## AQUAMOON EMBRACE Concealed ceiling installation box with color light -

---

35 630 970 90



- concealed rough parts

### 1x rain panel for ceiling installation

- AQUACIRCLE RAIN: Circular rain curtain, max. flow rate 12 l/min (at 3 bar)
- TEMPEST RAIN: Natural rain, max. flow rate 10 l/min (at 3 bar)
- Queen's Collar: rounded cascade, max. 23 l/min
- Embrace: rounded cascade, max. 60 l/min
- Ceiling installation enclosure 1356 x 1356 x 290 mm
- Opening diameter 1252 mm
- Ceiling construction with adequate structural strength for the permanent attachment of the device (weight: 57.5 kg / 127 lbs. (US)). M8 threaded bolts (minimum strength: 2000 N) are required to secure the ceiling module

To be provided by the customer. Zigbee Gateway!



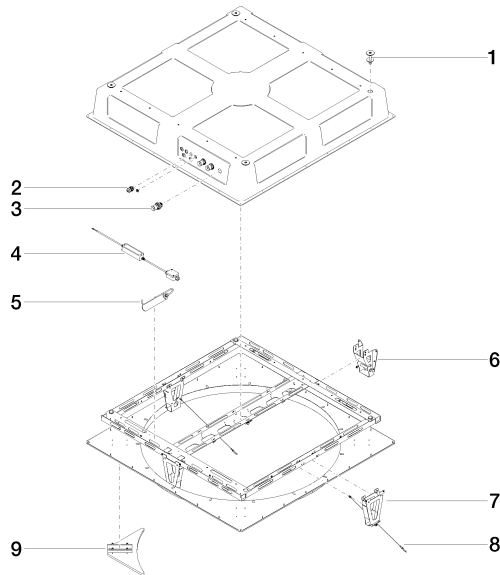
## AQUAMOON EMBRACE Concealed ceiling installation box with color light -

---

35 630 970 90

**AQUAMOON EMBRACE Concealed ceiling installation box with color light -**

35 630 970 90



**Spare parts list**

No.	Item Number	Name	Quantity used	Delivery time
1	04 24 03 239 02 90	fixing set	4	2
2	90 10 01 089 00 90	accessories	1	2
3	90 24 03 285 00 90	connection	3	2
4	90 10 01 212 00 90	electronic accessories	1	2
5	90 10 01 211 00 90	electronic accessories	1	2
6	90 17 20 205 00 90	holder	1	2
7	90 17 20 209 00 90	holder	1	2
8	90 21 50 007 00 90	accessories	2	2
9	90 17 20 215 00 90	end stop	4	2