

Concealed two-way diverter - Chrome


CL.1

36 200 740



- rotary diverter
- without rosette
- handle Ø 60mm
- WRAS 2307045

Fits: CL.1, META, CYO

	Chrome	36 200 740-00
	Brushed Platinum	36 200 740-06
	Light Gold	36 200 740-26
	Brushed Light Gold	36 200 740-27
	Brushed Durabronze (23kt Gold)	36 200 740-28
	Matte Black	36 200 740-33
	Brushed Bronze	36 200 740-42
	Brushed Champagne (22kt Gold)	36 200 740-46
	Champagne (22kt Gold)	36 200 740-47
	Brushed Dark Platinum	36 200 740-99

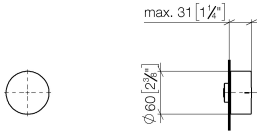
Required miscellaneous



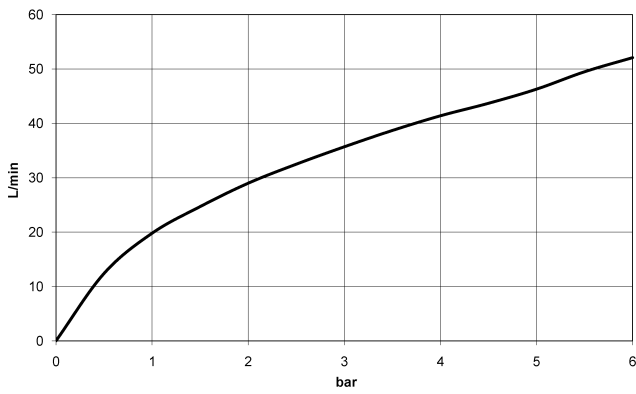
- Concealed two-way diverter -** 35 202 970 90
- max. recess depth 160 mm
 - min. recess depth 85 mm

36 200 740

mm [inches]



Flow rate chart



Codes & Standards

DIN 4109

ISO 3822

Scottish Water
Byelaws

UK Water Supply
Regulations

Ü-Zeichen



Concealed two-way diverter - Chrome

CL.1

36 200 740

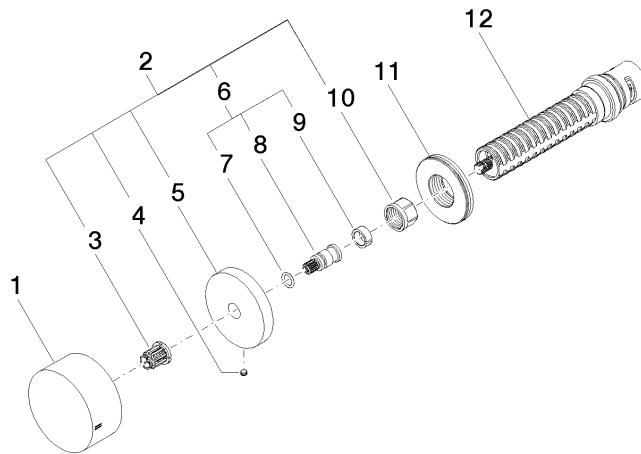
Certificates

WRAS_2307

LGA_38

36 200 740

Product version from 4/1/2022





Concealed two-way diverter - Chrome

CL.1

36 200 740

Spare parts list

Product version from 4/1/2022

No.	Item Number	Name	Quantity used	Delivery time
	09 20 74 044-00	handle	12	10