

Concealed three-way diverter - Brushed Light Gold




CL.1

36 210 740



- rotary diverter
- without rosette
- handle Ø 60mm
- WRAS 2307045

Fits: CL.1, META, CYO

	Brushed Light Gold	36 210 740-27
	Chrome	36 210 740-00
	Brushed Platinum	36 210 740-06
	Light Gold	36 210 740-26
	Brushed Durabrass (23kt Gold)	36 210 740-28
	Matte Black	36 210 740-33
	Brushed Bronze	36 210 740-42
	Brushed Champagne (22kt Gold)	36 210 740-46
	Champagne (22kt Gold)	36 210 740-47
	Brushed Dark Platinum	36 210 740-99

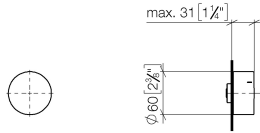
Required miscellaneous



- Concealed three-way diverter - 35 203 970 90**
- min. recess depth 95 mm
 - max. recess depth 116 mm

36 210 740

mm [inches]



Flow rate chart

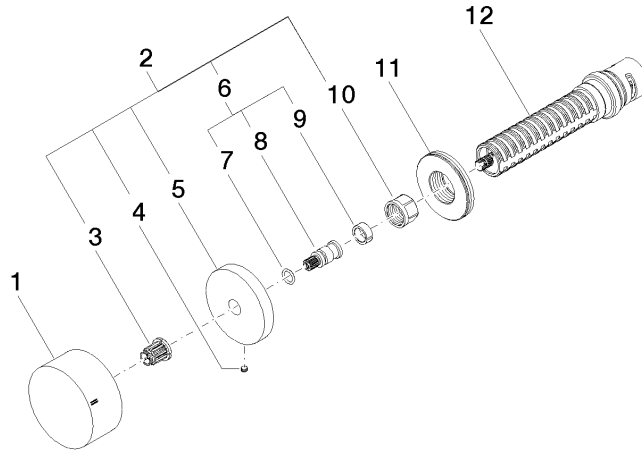


Certificates

LGA_38380.

WRAS_2307045.

36 210 740



Spare parts list

No.	Item Number	Name	Quantity used	Delivery time
1	09 20 74 045-27	handle	1	60
2	04 27 74 004 00-27	rosette	1	60
3	90 12 12 002 00 90	fixing cap	1	2
4	09 31 11 055 90	pin	1	2
5	09 27 74 004-27	rosette	1	60
6	04 29 06 020 00-00	spindle	1	10
7	90 14 10 060 00 90	seal	1	2
8	09 29 06 020-27	spindle	1	-
Spare part can no longer be ordered, please order the replacement item				
9	90 14 15 020 03 90	ring	1	2
10	90 23 30 023 00 90	nut	1	2
11	09 30 01 107 90	sleeve	1	2
12	90 90 03 303 10 90	diverter	1	2