

VAIA Wall valve clockwise closing 1/2" - Dark Chrome

VAIA

36 607 809



- rosette Ø 60 mm
- head part with cut-to-length spindle and sleeve
- WRAS 2011026, 2010066

| | | |
|--|-------------------------------------|---------------|
|  | Dark Chrome | 36 607 809-19 |
|  | Chrome | 36 607 809-00 |
|  | Brushed Platinum | 36 607 809-06 |
|  | Platinum | 36 607 809-08 |
|  | Brushed Durabronze (23kt Gold) | 36 607 809-28 |
|  | Brushed Bronze | 36 607 809-42 |
|  | Brushed Champagne (22kt Gold) | 36 607 809-46 |
|  | Champagne (22kt Gold) | 36 607 809-47 |
|  | Brushed Dark Platinum | 36 607 809-99 |

Required miscellaneous



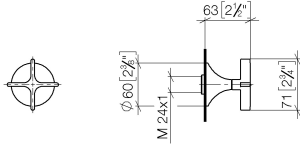
Wall valve 1/2" -

35 607 970 90

- max. recess depth 145 mm
- min. recess depth 75 mm

36 607 809

mm [inches]



Codes & Standards

DIN 4109

EN 1111

EN 200

ISO 3822

Scottish Water
Byelaws

UK Water Supply
Regulations

Ü-Zeichen

Certificates

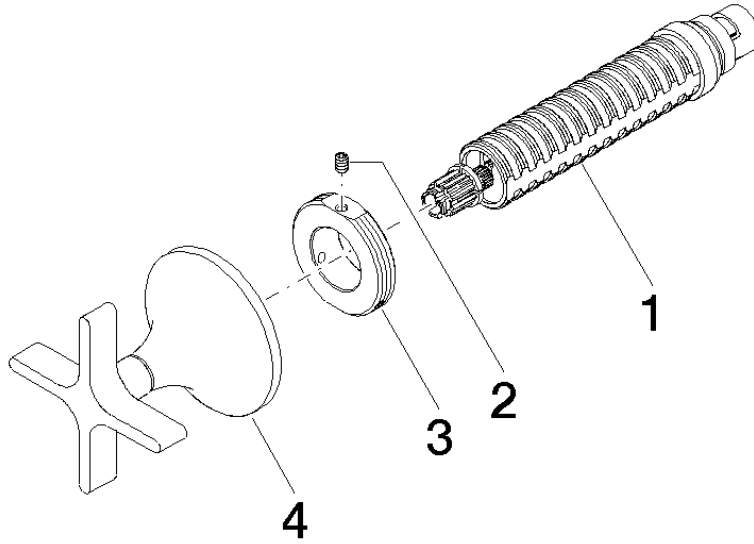
DVGW_DW-
6501DN0

WRAS_2010

LGA_29

DVGW_DW-
6512DN0

WRAS_2011





VAIA Wall valve clockwise closing 1/2" - Dark Chrome

VAIA

36 607 809

Spare parts list