

**MEM Wall-mounted single-lever basin mixer without pop-up waste - Dark Chrome**

MEM

36 860 782



- 177mm projection
- fixed spout
- rectangular, air-enriched flow
- hole diameter spout 37 mm
- hole diameter single-lever mixer 57 mm
- rosette for spout 80 x 60mm
- rosette for mixer 80 x 80mm
- max. flow 5.7 l/min
- lead-free
- This product can help a building meet the requirements of Green Building Rating Systems, e.g. LEED®, BREEAM®, DGNB

|   |                                |               |
|---|--------------------------------|---------------|
|  | Dark Chrome                    | 36 860 782-19 |
|  | Chrome                         | 36 860 782-00 |
|  | Brushed Platinum               | 36 860 782-06 |
|  | Platinum                       | 36 860 782-08 |
|  | Brushed Durabronze (23kt Gold) | 36 860 782-28 |
|  | Brushed Champagne (22kt Gold)  | 36 860 782-46 |
|  | Champagne (22kt Gold)          | 36 860 782-47 |
|  | Brushed Dark Platinum          | 36 860 782-99 |

**Required miscellaneous**



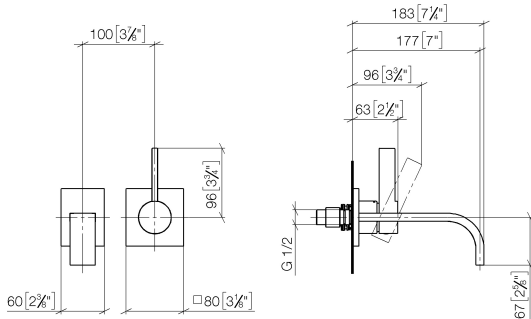
**Concealed wall-mounted single-lever mixer mixer on right -** 35 816 970 90  
 •NOTE:Not suitable for concealed installation.Connection by means of angle valves, mounted with screws to back wall.

**Required miscellaneous**



**Concealed wall-mounted single-lever mixer -** 35 860 970 90

36 860 782  
mm [inches]



**Flow rate chart**



**Certificates**

DVGW\_DW-  
6512DN0435.

WRAS\_2107018.

36 860 782

