

**VAIA Wall-mounted single-lever basin mixer without pop-up waste - Brushed Platinum**

VAIA

36 860 809



- 190mm projection
- fixed spout
- circular, air-enriched flow
- hole diameter spout 37 mm
- hole diameter single-lever mixer 57 mm
- rosette for single-lever mixer Ø 78mm
- rosette for spout Ø 60mm
- max. flow 5.7 l/min
- lead-free
- This product can help a building meet the requirements of Green Building Rating Systems, e.g. LEED®, BREEAM®, DGNB

	Brushed Platinum	36 860 809-06
	Chrome	36 860 809-00
	Platinum	36 860 809-08
	Dark Chrome	36 860 809-19
	Brushed Durabrass (23kt Gold)	36 860 809-28
	Brushed Bronze	36 860 809-42
	Brushed Champagne (22kt Gold)	36 860 809-46
	Champagne (22kt Gold)	36 860 809-47
	Brushed Dark Platinum	36 860 809-99

**Required miscellaneous**



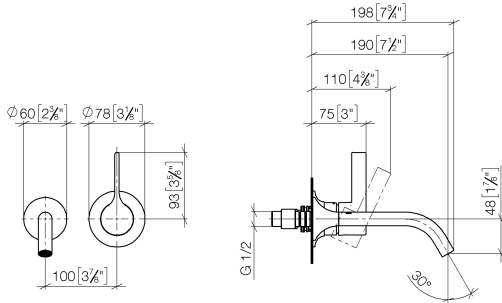
**Concealed wall-mounted single-lever mixer mixer on right -** 35 816 970 90  
 •NOTE:Not suitable for concealed installation.Connection by means of angle valves, mounted with screws to back wall.

**Required miscellaneous**



**Concealed wall-mounted single-lever mixer -** 35 860 970 90  
 •max. recess depth 95 mm  
 •min. recess depth 80 mm

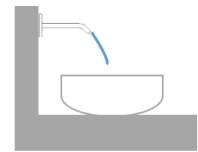
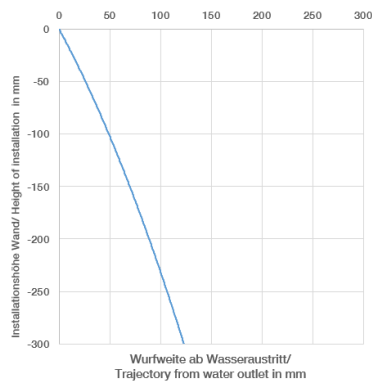
36 860 809  
mm [inches]



Flow rate chart



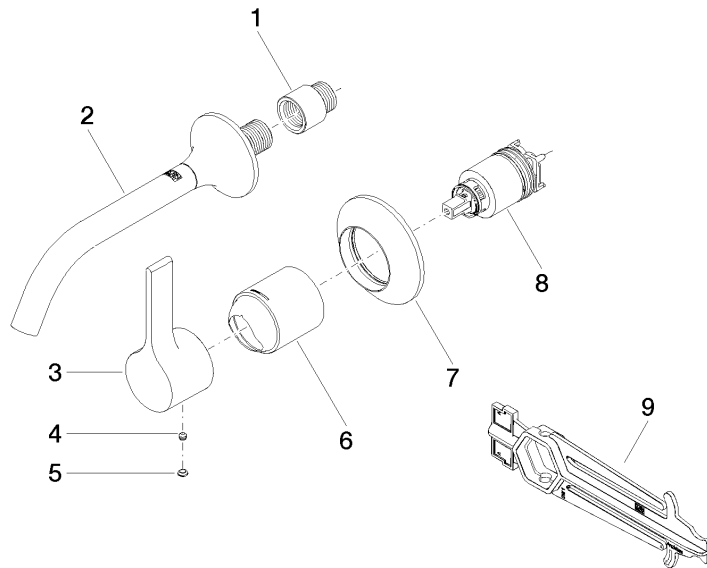
Trajectory diagram



Certificates

DVGW\_DW- WRAS\_2107018. LGA\_29898.  
6512DN0435.

36 860 809



### Spare parts list

No.	Item Number	Name	Quantity used	Delivery time
1	09 24 03 072 10 90	nipple	1	2
2	13 800 809-06	VAIA Wall-mounted basin spout without pop-up waste - Brushed Platinum	1	10
3	09 20 80 021-06	handle	1	10
4	90 31 11 063 00 90	pin	1	2
5	90 31 20 087 00-06	plug	1	10
6	09 11 02 288-06	cover	1	10
7	90 27 80 012 00-06	rosette	1	10
8	90 15 05 064 01 90	cartridge	1	2
9	90 30 09 064 00 90	key	1	2