

36 860 809



- 190mm projection
- fixed spout
- circular, air-enriched flow
- hole diameter spout 37 mm
- hole diameter single-lever mixer 57 mm
- rosette for single-lever mixer Ø 78mm
- rosette for spout Ø 60mm
- max. flow 5.7 l/min
- lead-free
- This product can help a building meet the requirements of Green Building Rating Systems, e.g. LEED®, BREEAM®, DGNB

	Platinum	36 860 809-08
	Chrome	36 860 809-00
	Brushed Platinum	36 860 809-06
	Dark Chrome	36 860 809-19
	Brushed Durabrass (23kt Gold)	36 860 809-28
	Brushed Bronze	36 860 809-42
	Brushed Champagne (22kt Gold)	36 860 809-46
	Champagne (22kt Gold)	36 860 809-47
	Brushed Dark Platinum	36 860 809-99

Required miscellaneous



- Concealed wall-mounted single-lever mixer mixer on right -** 35 816 970 90
- NOTE:Not suitable for concealed installation.Connection by means of angle valves, mounted with screws to back wall.

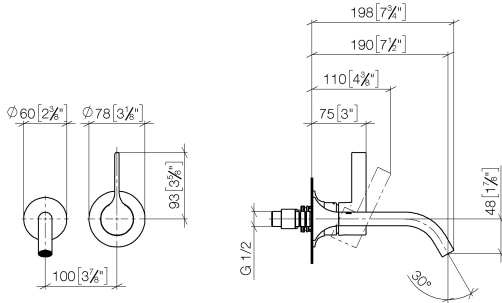
Required miscellaneous



- Concealed wall-mounted single-lever mixer -** 35 860 970 90
- max. recess depth 95 mm
 - min. recess depth 80 mm

36 860 809

mm [inches]



Flow rate chart



Trajectory diagram



Certificates

DVGW_DW- WRAS_2107018. LGA_29898.
6512DN0435.

36 860 809



Spare parts list

No.	Item Number	Name	Quantity used	Delivery time
1	09 24 03 072 10 90	nipple	1	2
2	13 800 809-08	VAIA Wall-mounted basin spout without pop-up waste - Platinum	1	40
3	09 20 80 021-08	handle	1	40
4	90 31 11 063 00 90	pin	1	2
5	90 31 20 087 00-08	plug	1	40
6	09 11 02 288-08	cover	1	40
7	90 27 80 012 00-08	rosette	1	40
8	90 15 05 064 01 90	cartridge	1	2
9	90 30 09 064 00 90	key	1	2