

MEM Wall-mounted single-lever basin mixer with cover plate without pop-up waste - Brushed Dark Platinum

MEM

36 863 782



- 177mm projection
- fixed spout
- rectangular, air-enriched flow
- hole diameter spout 37 mm
- hole diameter single-lever mixer 57 mm
- cover plate 80 x 180 mm
- max. flow 5.7 l/min
- lead-free
- This product can help a building meet the requirements of Green Building Rating Systems, e.g. LEED®, BREEAM®, DGNB

	Brushed Dark Platinum	36 863 782-99
	Chrome	36 863 782-00
	Brushed Platinum	36 863 782-06
	Platinum	36 863 782-08
	Dark Chrome	36 863 782-19
	Brushed Durabronze (23kt Gold)	36 863 782-28
	Brushed Champagne (22kt Gold)	36 863 782-46
	Champagne (22kt Gold)	36 863 782-47

Required miscellaneous



- Concealed wall-mounted single-lever mixer mixer on right -** 35 816 970 90
- NOTE:Not suitable for concealed installation.Connection by means of angle valves, mounted with screws to back wall.

Required miscellaneous

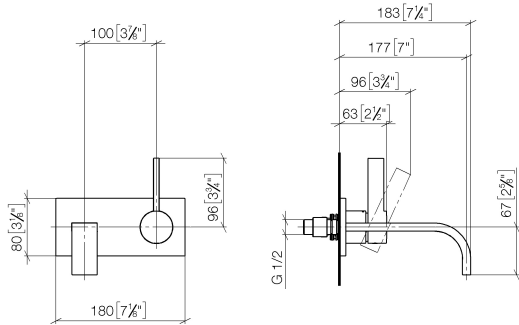


- Concealed wall-mounted single-lever mixer -** 35 860 970 90
- max. recess depth 95 mm
 - min. recess depth 80 mm

MEM Wall-mounted single-lever basin mixer with cover plate without pop-up waste - Brushed Dark Platinum

MEM

36 863 782
mm [inches]



Flow rate chart



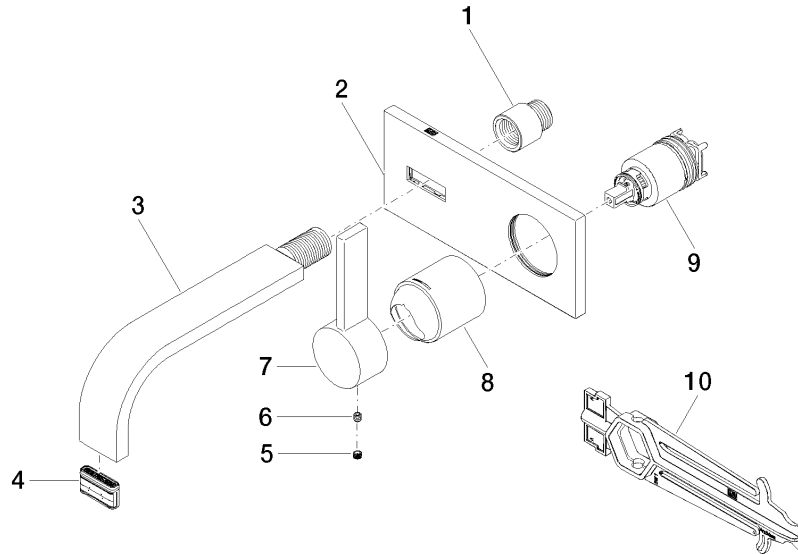
Certificates

LGA_29907.

DVGW_DW-
6512DN0435.

WRAS_2107018.

36 863 782



Spare parts list

No.	Item Number	Name	Quantity used	Delivery time
1	09 24 03 072 10 90	nipple	1	2
2	90 11 01 186 00-99	plate	1	30
3	04 28 22 150 10-99	spout	1	30
4	90 29 03 109 00 90	aerator	1	2
5	90 31 20 109 00 90	plug	1	2
6	90 31 11 030 00 90	pin	1	2
7	09 20 78 058-99	handle	1	30
8	09 11 02 288-99	cover	1	30
9	90 15 05 064 01 90	cartridge	1	2
10	90 30 09 064 00 90	key	1	2