

## AQUAMOON Rain panel - Matte White

---

41 620 979



- exposed trim parts
  - Rain panel with 3 different flow modes
  - AQUACIRCLE RAIN: Circular rain curtain, max. flow rate 12 l/min (at 3 bar)
  - TEMPEST RAIN: Natural rain, max. flow rate 10 l/min (at 3 bar)
  - QUEEN'S COLLAR CASCADE: Rounded cascade, max. flow rate 24 l/min (at 3 bar)
  - Indirect mood lighting, warm white LED light strip 2700K
  - Matt white cover, RAL 9003
  - with anti-scale system
  - Outer diameter 1240 mm, opening diameter 450 mm
  - Weight 22.5 kg
  - Protection rating IP67
  - Control elements not included among the items supplied
- Rain panel cover for adaptation to ceiling colour available in all RAL colours, price and delivery time on request**

Rain panel cover for adaptation to ceiling colour available in all RAL colours, price and delivery time on request

### Required miscellaneous

---



**AQUAMOON Concealed ceiling installation box - 35 620 970 90**

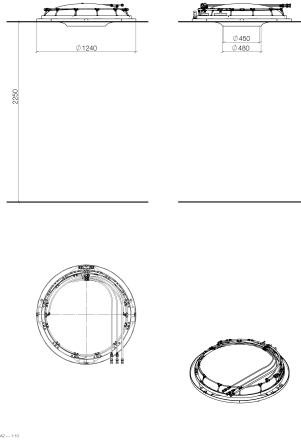
- Ceiling installation enclosure 1356 x 1356 x 290 mm
- concealed rough parts
- Opening diameter 1252 mm
- min. recess depth 290 mm



## AQUAMOON Rain panel - Matte White

---

41 620 979



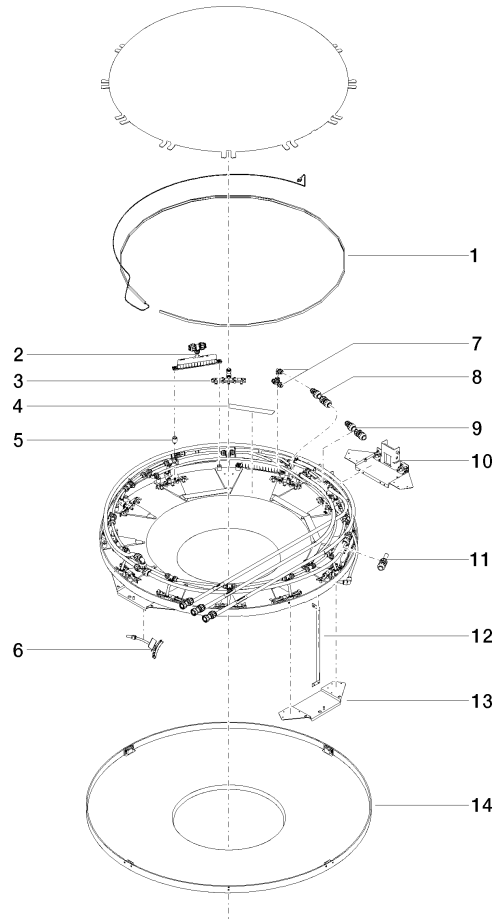
### Certificates

---

LGA\_29446.

**AQUAMOON Rain panel - Matte White**

41 620 979



**Spare parts list**

No.	Item Number	Name	Quantity used	Delivery time
1	90 10 01 183 00 90	lamp	1	2
2	90 17 09 058 00 90	jet module	5	2
3	90 17 09 056 00 90	jet module	12	2
4	90 17 20 221 00 90	holder	5	2
5	90 18 40 222 00 90	adaptor	24	2
6	90 17 09 057 00 90	jet module	12	2
7	90 24 04 321 00 90	threaded connector	1	60
8	90 24 04 346 00 90	connection AQUACIRCLE	1	60
9	90 24 04 314 00 90	connection TEMPEST	1	60
10	90 17 20 211 00 90	joint	1	60
11	90 24 04 314 01 90	connection QUEENSCOLLAR	1	60
12	90 17 20 217 00 90	holder	4	60
13	90 17 20 216 00 90	holder	3	60
14	90 11 02 325 00 90	cover	1	2