

IMO Washstand fitting with electronic opening and closing function without pop-up waste - Platinum








IMO

44 521 670

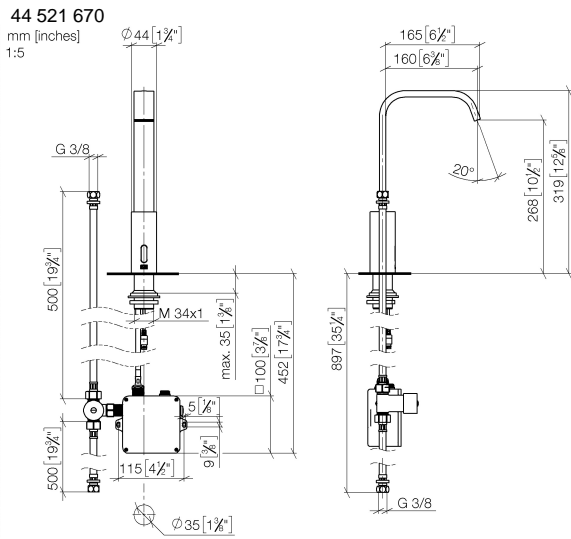


- Infrared sensor technology
- 165mm projection
- height of mixer 319 mm
- height up to aerator 268 mm
- hole diameter 35 mm
- fixed spout
- max. flow 5.7 l/min
- rectangular, air-enriched flow
- suitable for thermal disinfection
- Automatic shut-off after pre-set time is reached
- Indirect temperature control (undercounter)
- Control box included
- Adjustable sensor detection range
- Battery or plug-in power supply operated (batteries not included)
- 4x AA (1.5V) batteries required
- lead-free
- 1x screw-in M 8 x 1 pressure hose, leak-tested
- This product can help a building meet the requirements of Green Building Rating Systems, e.g. LEED®, BREEAM®, DGNB
- WRAS 2211011

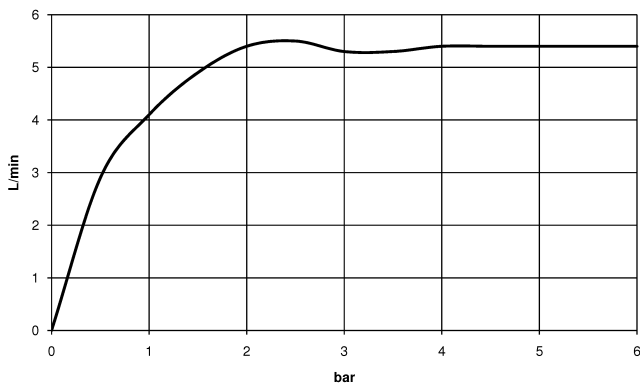
Batteries not included

	Platinum	44 521 670-08
	Chrome	44 521 670-00
	Brushed Platinum	44 521 670-06
	Brushed Light Gold	44 521 670-27
	Brushed Durabronze (23kt Gold)	44 521 670-28
	Matte Black	44 521 670-33
	Brushed Chrome	44 521 670-93

IMO Washstand fitting with electronic opening and closing function without pop-up waste - Platinum



Flow rate chart



Codes & Standards

DIN 4109

EN 1717

ISO 3822

Scottish Water
Byelaws

UK Water Supply
Regulations

Ü-Zeichen



IMO Washstand fitting with electronic opening and closing function without pop-up waste - Platinum

IMO

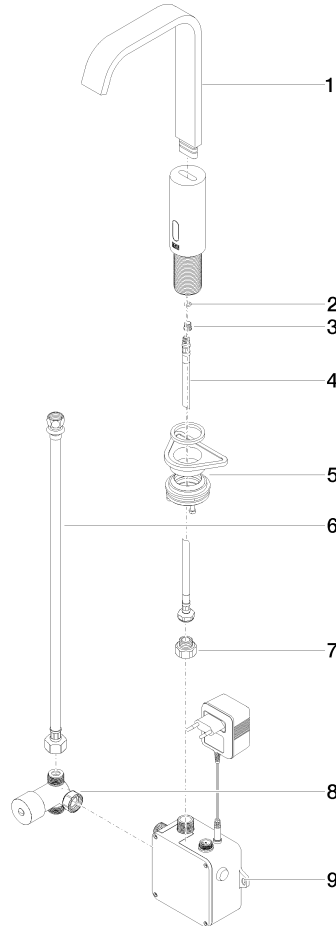
44 521 670
Certificates

WRAS_2211 Belgaqua_23-210-2 LGA_38

44 521 670

Product version from 6/1/2024

Parts for other finishes can be found here: [Chrome](#)





IMO Washstand fitting with electronic opening and closing function without pop-up waste - Platinum

IMO

44 521 670

Spare parts list

Product version from 6/1/2024

No.	Item Number	Name	Quantity used	Delivery time
	90 28 22 376 00-08	spout	9	40