

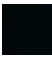
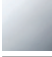



EDITION PRO Bath grip - Matte Black

83 020 626



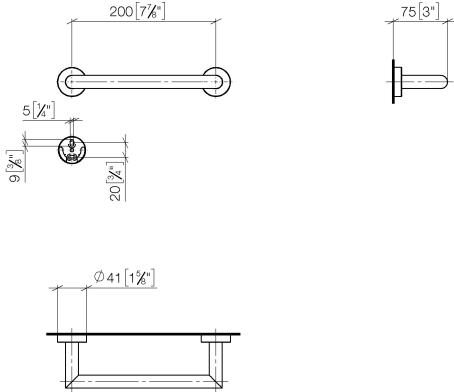
- gauge 200 mm
- width 241 mm
- height 41 mm
- rosette Ø 41 mm
- 75mm projection

| | | |
|---|----------------|---------------|
|  | Matte Black | 83 020 626-33 |
|  | Chrome | 83 020 626-00 |
|  | Brushed Chrome | 83 020 626-93 |

EDITION PRO Bath grip - Matte Black

83 020 626

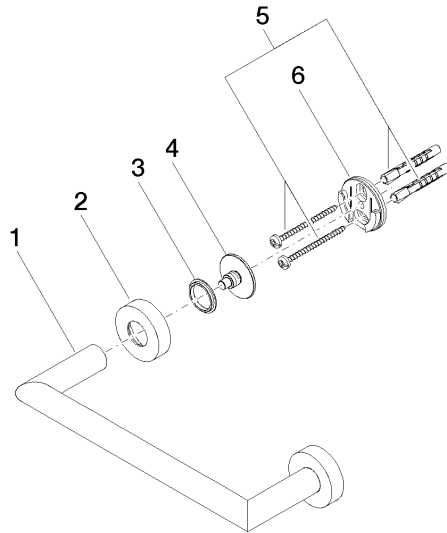
mm [inches]



EDITION PRO Bath grip - Matte Black

83 020 626

Parts for other finishes can be found here: [Chrome](#)



Spare parts list

| No. | Item Number | Name | Quantity used | Delivery time |
|-----|--------------------|------------|---------------|---------------|
| 1 | 05 28 22 545 00-33 | holder | 1 | 30 |
| 2 | 08 27 97 502-33 | rosette | 2 | 30 |
| 3 | 08 30 11 517 90 | ring | 2 | 2 |
| 4 | 08 17 97 560 90 | holder | 2 | 2 |
| 5 | 05 30 31 025 00 90 | fixing set | 1 | 2 |
| 6 | 08 17 97 501 07 | holder | 2 | 2 |