

ST 010 103 5670



- 165mm projection
  - fixed spout
  - rectangular, air-enriched flow
  - height of mixer 220 mm
  - height up to aerator 170 mm
  - hole diameter 35 mm
  - rosette 60 x 60 mm
  - 2x screw-in M 10 x 1 pressure hose, leak-tested
  - 1/2" connection
  - max. flow 5 l/min
  - lead-free
  - automatic hygiene flush
  - suitable for thermal disinfection
  - adjustable follow-up time
  - high-frequency sensors with self-calibration
  - magnetic valve
  - temperature setting via thermostat
  - 100-240 V AC / 12 V DC, 50-60 Hz, 18 W power supply unit, incl. country-specific adapter set
  - This product can help a building meet the requirements of Green Building Rating Systems, e.g. LEED®, BREEAM®, DGNB
- Cannot be combined with basins in conducting materials (e.g. steel, river stone).**  
**Cannot be combined with basins that have a closing drain.**  
**ATTENTION: Separate terms and conditions for electronic articles are applicable.**

### Individual components of this set

You need the following components for this set



1x 42 765 970 90



1x 13 716 670-00



IMO eSET Touchfree Basin mixer without pop-up waste with temperature setting - Chrome

---

IMO

ST 010 103 5670

**IMO eSET Touchfree Basin mixer without pop-up waste with temperature setting - Chrome**

IMO

ST 010 103 5670



Fits: IMO, LULU, MADISON, MEM, TARA, CL.1, LISSÉ, VAIA, META, CYO

- automatic hygiene flush
  - suitable for thermal disinfection
  - adjustable follow-up time
  - high-frequency sensors with self-calibration
  - magnetic valve
  - temperature setting via thermostat
  - 100-240 V AC / 12 V DC, 50-60 Hz, 18 W power supply unit, incl. country-specific adapter set
- Cannot be combined with basins in conducting materials (e.g. steel, river stone).  
Cannot be combined with basins that have a closing drain.**
- ATTENTION: Separate terms and conditions for electronic articles are applicable.**

Cannot be combined with basins in conducting materials (e.g. steel, river stone).

Cannot be combined with basins that have a closing drain.

ATTENTION: Separate terms and conditions for electronic articles are applicable.

**Required miscellaneous**



**eSET Touchfree Basin mixer with temperature setting for combining with wall-mounted fittings -** 35 741 970 90

- max. recess depth 125 mm
- min. recess depth 90 mm

**Required miscellaneous**



**eSET Touchfree Basin mixer with temperature setting for combining with free-standing fittings -** 35 740 970 90

**Recommended miscellaneous**

**Extension for Touchfree 500 mm -** 12 765 970 90



**IMO eSET Touchfree Basin mixer without pop-up waste with temperature setting - Chrome**

ST 010 103 5670  
mm [inches]



**Certificates**

LGA_29120.	WRAS_1906116.	IAPMO_EGS.	CE000001_eSet_Tou chfree_20171206_D E_signed.	CE000002_eSet_Tou chfree_20171206_E N_signed.
LGA_29119.				

ST 010 103 5670



**Spare parts list**

No.	Item Number	Name	Quantity used	Delivery time
1	90 10 01 177 00 90	electronic accessories	1	2
2	90 17 20 199 00 90	holder	1	2
3	90 23 01 124 00 90	sleeve	1	2
4	09 23 10 129 90	nut	1	2
5	04 30 50 079 00 90	valve	1	2
6	90 15 02 013 00 90	cartridge	1	2
7	04 10 01 246 00 90	electronic accessories	1	2
8	04 30 31 024 01 90	fixing set	1	2

**IMO eSET Touchfree Basin mixer without pop-up waste with temperature setting - Chrome**



IMO

ST 010 103 5670



- 165mm projection
- fixed spout
- rectangular, air-enriched flow
- height of mixer 220 mm
- height up to aerator 170 mm
- hole diameter 35 mm
- rosette 60 x 60 mm
- 2x screw-in M 10 x 1 pressure hose, leak-tested
- 1/2" connection
- max. flow 5 l/min
- lead-free
- This product can help a building meet the requirements of Green Building Rating Systems, e.g. LEED®, BREEAM®, DGNB

For Touchfree control please order eSet Touchfree WITH or WITHOUT temperature adjustment

	Chrome	13 716 670-00
	Brushed Chrome	13 716 670-93



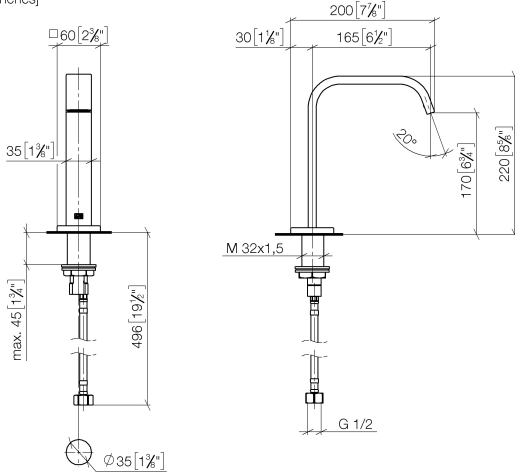
IMO eSET Touchfree Basin mixer without pop-up waste with temperature setting - Chrome

---

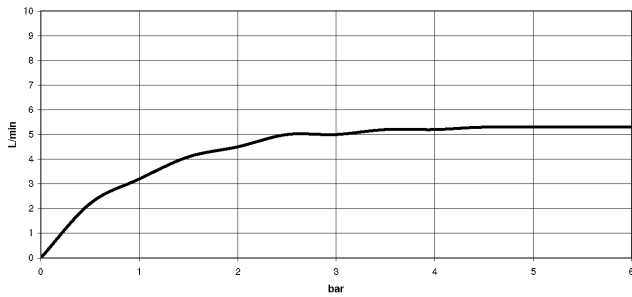
IMO

ST 010 103 5670

ST 010 103 5670  
mm [inches]



**Flow rate chart**



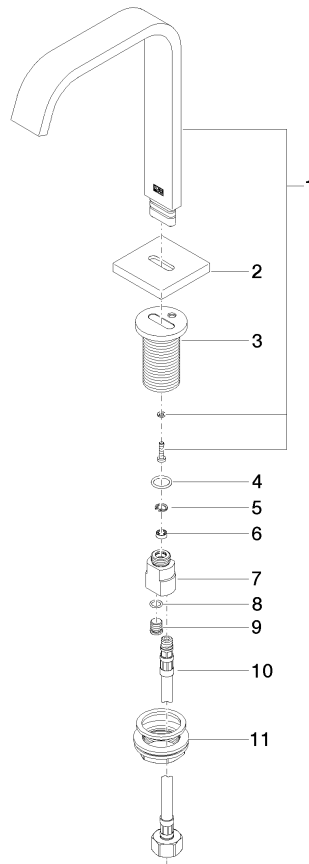
**Certificates**

LGA\_29120.

WRAS\_1909064.



ST 010 103 5670



**Spare parts list**

No.	Item Number	Name	Quantity used	Delivery time
1	90 28 22 267 00-00	spout	1	10
2	09 27 78 034-00	rosette	1	10
3	09 11 10 054 10 90	connection	1	2
4	09 14 10 130 90	seal	1	2
5	09 16 01 016 90	ring	1	2
6	09 23 01 033 90	flow reducer	1	2
7	09 11 10 055 10 90	connection	1	2
8	90 14 10 060 00 90	seal	1	2
9	09 31 20 065 90	plug	1	2
10	04 30 04 019 00 90	hose	1	2
11	04 23 10 009 01 90	fixing set	1	2