

ST 010 108 2811



- 167mm projection
- fixed spout
- rectangular, air-enriched flow
- height of mixer 198 mm
- height up to aerator 133 mm
- hole diameter spout 35 mm
- hole diameter valve 32 mm
- handle Ø 60mm
- max. flow 4.5 l/min
- lead-free
- with hot / cold marking
- This product can help a building meet the requirements of Green Building Rating Systems, e.g. LEED®, BREEAM®, DGNB

|  |   |                    |
|--|---|--------------------|
|  | Platinum /<br>Brushed Platinum                  | ST 010 108 2811-36 |
|  | Chrome  | ST 010 108 2811-00 |
|  | Brushed Platinum                                | ST 010 108 2811-06 |
|  | Dark Chrome                                     | ST 010 108 2811-19 |
|  | Brushed Durabronz<br>(23kt Gold)                | ST 010 108 2811-28 |
|  | Durabronz /<br>Brushed Durabronz<br>(23kt Gold) | ST 010 108 2811-38 |
|  | Brushed Dark<br>Platinum                        | ST 010 108 2811-99 |

**Individual components of this set**

You need the following components for this set

1x 11 283 811-06



1x 20 713 811-36





CYO Three-hole basin mixer with pop-up waste - Platinum / Brushed Platinum

---

CYO

ST 010 108 2811

ST 010 108 2811



- with hot / cold marking
- for three-hole basin mixers and five-hole bath mixers

|  |                               |               |
|--|-------------------------------|---------------|
|  | Brushed Platinum              | 11 283 811-06 |
|  | Chrome                        | 11 283 811-00 |
|  | Platinum                      | 11 283 811-08 |
|  | Durabress (23kt Gold)         | 11 283 811-09 |
|  | Dark Chrome                   | 11 283 811-19 |
|  | Brushed Durabress (23kt Gold) | 11 283 811-28 |
|  | Brushed Champagne (22kt Gold) | 11 283 811-46 |
|  | Champagne (22kt Gold)         | 11 283 811-47 |
|  | Brushed Dark Platinum         | 11 283 811-99 |



CYO Three-hole basin mixer with pop-up waste - Platinum / Brushed Platinum

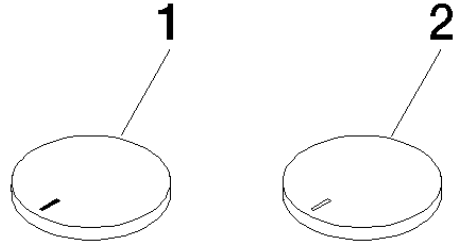
---

CYO

ST 010 108 2811

ST 010 108 2811

Parts for other finishes can be found here: [Chrome](#)



Spare parts list


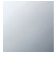
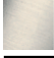




| No. | Item Number   | Name                                      | Quantity used | Delivery time |
|-----|---------------|---|---------------|---------------|
| 1   | 11 183 811-06 | CYO Handle insert hot - Brushed Platinum  | 1             | 10            |
| 2   | 11 184 811-06 | CYO Handle insert cold - Brushed Platinum | 1             | 10            |

ST 010 108 2811



- 167mm projection
- fixed spout
- rectangular, air-enriched flow
- height of mixer 198 mm
- height up to aerator 133 mm
- hole diameter spout 35 mm
- hole diameter valve 32 mm
- handle Ø 60mm
- max. flow 4.5 l/min
- lead-free
- This product can help a building meet the requirements of Green Building Rating Systems, e.g. LEED®, BREEAM®, DGNB
- WRAS 2111022

NOTE: The handle inserts must be ordered separately from the fittings!

|  |   |               |
|--|---|---------------|
|  | Platinum /<br>Brushed Platinum                | 20 713 811-36 |
|  | Chrome  | 20 713 811-00 |
|  | Brushed Platinum                              | 20 713 811-06 |
|  | Dark Chrome                                   | 20 713 811-19 |
|  | Brushed Durabass<br>(23kt Gold)               | 20 713 811-28 |
|  | Durabass /<br>Brushed Durabass<br>(23kt Gold) | 20 713 811-38 |
|  | Brushed Dark<br>Platinum                      | 20 713 811-99 |



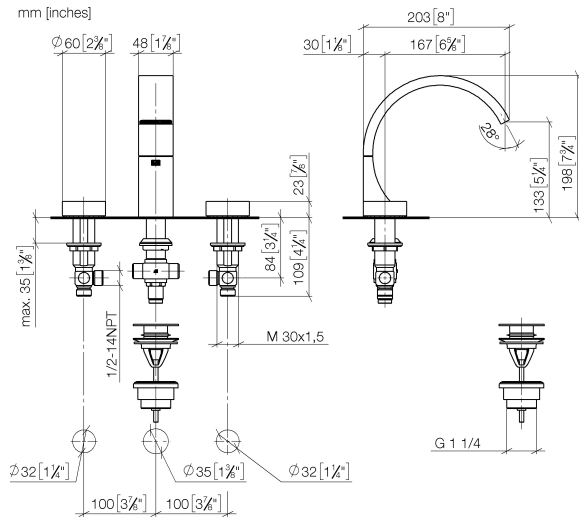
CYO Three-hole basin mixer with pop-up waste - Platinum / Brushed Platinum

---

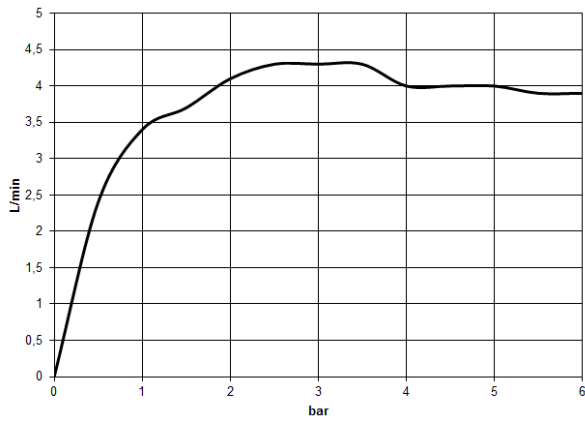
CYO

ST 010 108 2811

ST 010 108 2811



**Flow rate chart**



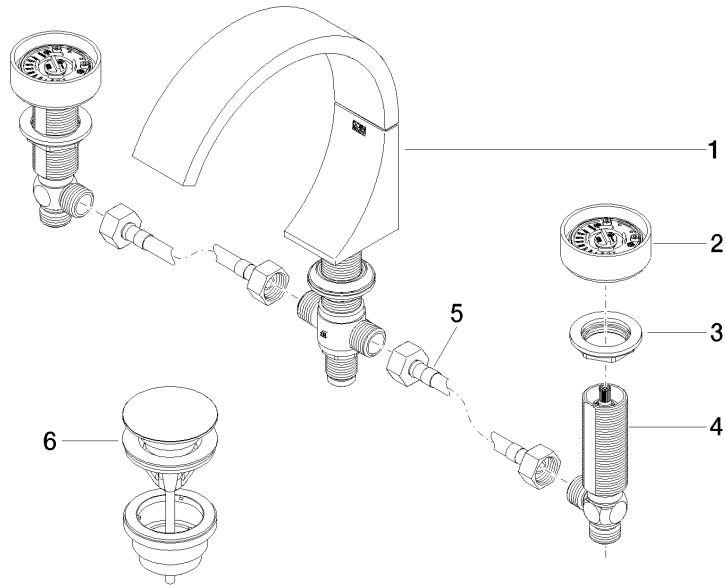
**Certificates**

WRAS\_2111022. LGA\_38118.



ST 010 108 2811

Parts for other finishes can be found here: [Chrome](#)



### Spare parts list

| No. | Item Number        | Name  | Quantity used | Delivery time |
|-----|--------------------|---|---------------|---------------|
| 1   | 13 717 811-36      | CYO Deck-mounted basin spout without pop-up waste - Platinum / Brushed Platinum | 1             | 20            |
| 2   | 90 18 40 290 00-36 | handle  | 2             | 20            |
| 3   | 04 30 11 038 67 90 | fixing set  | 2             | 2             |
| 4   | 04 17 11 055 61 90 | side panel  | 2             | 2             |
| 5   | 04 30 04 096 00 90 | hose  | 2             | 2             |
| 6   | 10 125 970-36      | pop-up waste  | 1             | -             |

Spare part can no longer be ordered, please order the replacement item