

## IMO eSET Touchfree Basin mixer without pop-up waste with temperature setting - Chrome

IMO

ST 010 200 1670



- 170mm projection
- fixed spout
- rectangular, air-enriched flow
- hole diameter 40 mm
- rosettes 60 x 78 mm
- 1/2" connection
- max. flow 5.7 l/min
- lead-free
- automatic hygiene flush
- suitable for thermal disinfection
- adjustable follow-up time
- high-frequency sensors with self-calibration
- magnetic valve
- temperature setting via thermostat
- 100-240 V AC / 12 V DC, 50-60 Hz, 18 W power supply unit, incl. country-specific adapter set
- This product can help a building meet the requirements of Green Building Rating Systems, e.g. LEED®, BREEAM®, DGNB

### Individual components of this set

You need the following components for this set



1x 42 765 970 90



1x 13 800 670-00



IMO eSET Touchfree Basin mixer without pop-up waste with temperature setting - Chrome

---

IMO

ST 010 200 1670

**IMO eSET Touchfree Basin mixer without pop-up waste with temperature setting - Chrome**

IMO

ST 010 200 1670



Fits: IMO, LULU, MADISON, MEM, TARA, CL.1, LISSÉ, VAIA, META, CYO

- automatic hygiene flush
  - suitable for thermal disinfection
  - adjustable follow-up time
  - high-frequency sensors with self-calibration
  - magnetic valve
  - temperature setting via thermostat
  - 100-240 V AC / 12 V DC, 50-60 Hz, 18 W power supply unit, incl. country-specific adapter set
- Cannot be combined with basins in conducting materials (e.g. steel, river stone).  
Cannot be combined with basins that have a closing drain.**
- ATTENTION: Separate terms and conditions for electronic articles are applicable.**

Cannot be combined with basins in conducting materials (e.g. steel, river stone).

Cannot be combined with basins that have a closing drain.

ATTENTION: Separate terms and conditions for electronic articles are applicable.

**Required miscellaneous**



**eSET Touchfree Basin mixer with temperature setting for combining with wall-mounted fittings -** 35 741 970 90

- max. recess depth 125 mm
- min. recess depth 90 mm

**Required miscellaneous**



**eSET Touchfree Basin mixer with temperature setting for combining with free-standing fittings -** 35 740 970 90

**Recommended miscellaneous**

**Extension for Touchfree 500 mm -** 12 765 970 90



**IMO eSET Touchfree Basin mixer without pop-up waste with temperature setting - Chrome**

ST 010 200 1670  
mm [inches]



**Certificates**

LGA_29120.	WRAS_1906116.	IAPMO_EGS.	CE000001_eSet_Tou chfree_20171206_D E_signed.	CE000002_eSet_Tou chfree_20171206_E N_signed.
LGA_29119.				

ST 010 200 1670



### Spare parts list

No.	Item Number	Name	Quantity used	Delivery time
1	90 10 01 177 00 90	electronic accessories	1	2
2	90 17 20 199 00 90	holder	1	2
3	90 23 01 124 00 90	sleeve	1	2
4	09 23 10 129 90	nut	1	2
5	04 30 50 079 00 90	valve	1	2
6	90 15 02 013 00 90	cartridge	1	2
7	04 10 01 246 00 90	electronic accessories	1	2
8	04 30 31 024 01 90	fixing set	1	2

**IMO eSET Touchfree Basin mixer without pop-up waste with temperature setting - Chrome**



IMO

ST 010 200 1670



- 170mm projection
- fixed spout
- rectangular, air-enriched flow
- hole diameter 40 mm
- rosette 60 x 60 mm
- 1/2" connection
- max. flow 5.7 l/min
- lead-free
- This product can help a building meet the requirements of Green Building Rating Systems, e.g. LEED®, BREEAM®, DGNB

For Touchfree control please order eSet Touchfree WITH or WITHOUT temperature adjustment

	Chrome	13 800 670-00
	Brushed Chrome	13 800 670-93

**Recommended miscellaneous**



- Concealed wall elbow -** 35 085 970 90
- max. recess depth 163 mm
  - min. recess depth 90 mm



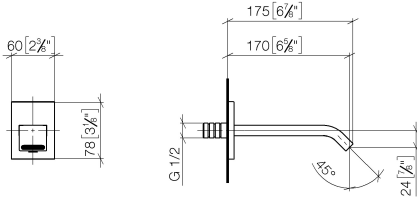
IMO eSET Touchfree Basin mixer without pop-up waste with temperature setting - Chrome

---

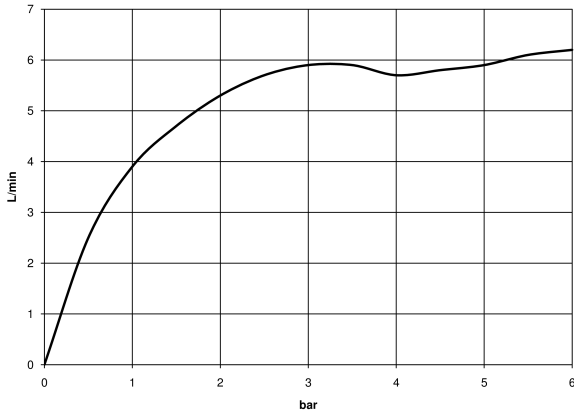
IMO

ST 010 200 1670

ST 010 200 1670  
mm [inches]



**Flow rate chart**

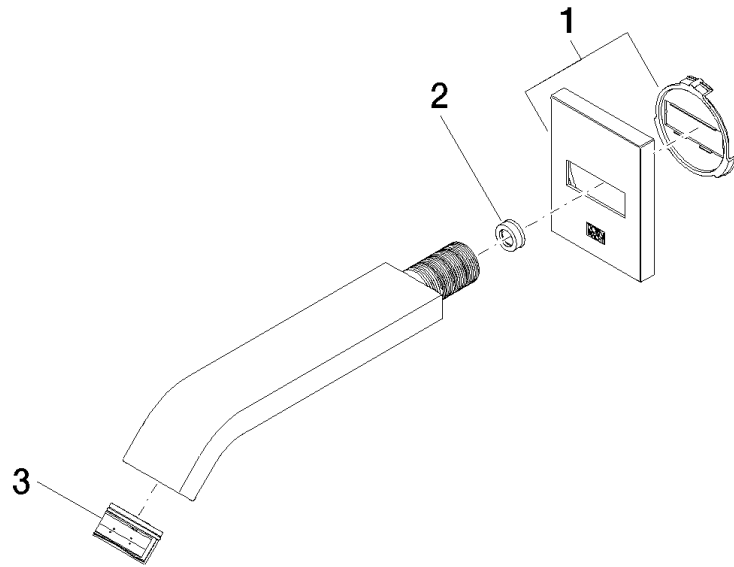


**Certificates**

LGA\_29119.

WRAS\_2005002.





**Spare parts list**

No.	Item Number	Name	Quantity used	Delivery time
1	90 27 67 005 00-00	rosette	1	10
2	09 23 01 079 90	flow reducer	1	2
3	90 29 03 045 00 90	aerator	1	2