

ST 010 200 1671



- 170mm projection
- fixed spout
- rectangular, air-enriched flow
- hole diameter 40 mm
- rosettes 80 x 60 mm
- 1/2" connection
- max. flow 4.6 l/min
- lead-free
- automatic hygiene flush
- suitable for thermal disinfection
- adjustable follow-up time
- high-frequency sensors with self-calibration
- magnetic valve
- temperature setting via thermostat
- 100-240 V AC / 12 V DC, 50-60 Hz, 18 W power supply unit, incl. country-specific adapter set

Individual components of this set

You need the following components for this set



1x

42 765 970 90



1x

13 800 671-00



IMO Basin mixer without pop-up waste with temperature setting - Chrome

IMO

ST 010 200 1671

ST 010 200 1671



Fits: IMO, LULU, MADISON, MEM, TARA, CL.1, LISSÉ, VAIA, META, CYO

- automatic hygiene flush
 - suitable for thermal disinfection
 - adjustable follow-up time
 - high-frequency sensors with self-calibration
 - magnetic valve
 - temperature setting via thermostat
 - 100-240 V AC / 12 V DC, 50-60 Hz, 18 W power supply unit, incl. country-specific adapter set
- Cannot be combined with basins in conducting materials (e.g. steel, river stone).
Cannot be combined with basins that have a closing drain.**
- ATTENTION: Separate terms and conditions for electronic articles are applicable.**

Cannot be combined with basins in conducting materials (e.g. steel, river stone).

Cannot be combined with basins that have a closing drain.

ATTENTION: Separate terms and conditions for electronic articles are applicable.

Required miscellaneous



eSET Touchfree Basin mixer with temperature setting for combining with wall-mounted fittings - 35 741 970 90

- max. recess depth 125 mm
- min. recess depth 90 mm

Required miscellaneous



eSET Touchfree Basin mixer with temperature setting for combining with free-standing fittings - 35 740 970 90

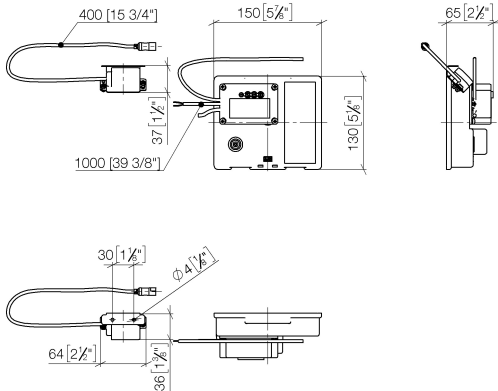
Recommended miscellaneous

Extension for Touchfree 500 mm - 12 765 970 90



ST 010 200 1671

mm [inches]



Certificates

| | | | | |
|------------|---------------|------------|---|---|
| LGA_29120. | WRAS_1906116. | IAPMO_EGS. | CE000001_eSet_Tou chfree_20171206_D E_signed. | CE000002_eSet_Tou chfree_20171206_E N_signed. |
| LGA_29119. | | | | |

ST 010 200 1671



Spare parts list



| No. | Item Number | Name | Quantity used | Delivery time |
|-----|--------------------|------------------------|---------------|---------------|
| 1 | 90 10 01 177 00 90 | electronic accessories | 1 | 2 |
| 2 | 90 17 20 199 00 90 | holder | 1 | 2 |
| 3 | 90 23 01 124 00 90 | sleeve | 1 | 2 |
| 4 | 09 23 10 129 90 | nut | 1 | 2 |
| 5 | 04 30 50 079 00 90 | valve | 1 | 2 |
| 6 | 90 15 02 013 00 90 | cartridge | 1 | 2 |
| 7 | 04 10 01 246 00 90 | electronic accessories | 1 | 2 |
| 8 | 04 30 31 024 01 90 | fixing set | 1 | 2 |

ST 010 200 1671



- 170mm projection
- fixed spout
- rectangular, air-enriched flow
- hole diameter 40 mm
- rosette 80 x 60 mm
- 1/2" connection
- max. flow 4.6 l/min
- lead-free
- This product can help a building meet the requirements of Green Building Rating Systems, e.g. LEED®, BREEAM®, DGNB

For Touchfree control please order eSet Touchfree WITH or WITHOUT temperature adjustment

| | | |
|--|----------------|---------------|
|  | Chrome | 13 800 671-00 |
|  | Brushed Chrome | 13 800 671-93 |

Recommended miscellaneous



- Concealed wall elbow -** 35 085 970 90
- min. recess depth 90 mm
 - max. recess depth 163 mm

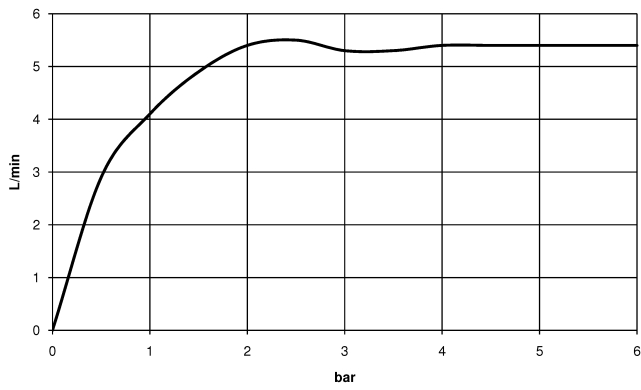


IMO Basin mixer without pop-up waste with temperature setting - Chrome

IMO

ST 010 200 1671

Flow rate chart





IMO Basin mixer without pop-up waste with temperature setting - Chrome

IMO

ST 010 200 1671