

CYO eSET Touchfree Basin mixer without pop-up waste without temperature setting - Chrome

ST 010 204 1811



- 160mm projection
 - fixed spout
 - rectangular, air-enriched flow
 - hole diameter 35 mm
 - 1/2" connection
 - max. flow 4.5 l/min
 - lead-free
 - automatic hygiene flush
 - suitable for thermal disinfection
 - adjustable follow-up time
 - high-frequency sensors with self-calibration
 - magnetic valve
 - 100-240 V AC / 12 V DC, 50-60 Hz, 18 W power supply unit, incl. country-specific adapter set
 - This product can help a building meet the requirements of Green Building Rating Systems, e.g. LEED®, BREEAM®, DGNB
- Cannot be combined with basins in conducting materials (e.g. steel, river stone).**
Cannot be combined with basins that have a closing drain.
ATTENTION: Separate terms and conditions for electronic articles are applicable.

Individual components of this set

You need the following components for this set



1x 42 766 970 90



1x 13 800 811-00



CYO eSET Touchfree Basin mixer without pop-up waste without temperature setting - Chrome

CYO

ST 010 204 1811

CYO eSET Touchfree Basin mixer without pop-up waste without temperature setting - Chrome

ST 010 204 1R11



Fits: IMO, LULU, MADISON, MEM, TARA, CL.1, LISSÉ, VAIA, META, CYO

- automatic hygiene flush
 - suitable for thermal disinfection
 - adjustable follow-up time
 - high-frequency sensors with self-calibration
 - magnetic valve
 - 100-240 V AC / 12 V DC, 50-60 Hz, 18 W power supply unit, incl. country-specific adapter set
- Cannot be combined with basins in conducting materials (e.g. steel, river stone).
Cannot be combined with basins that have a closing drain.**
ATTENTION: Separate terms and conditions for electronic articles are applicable.

Cannot be combined with basins in conducting materials (e.g. steel, river stone).

Cannot be combined with basins that have a closing drain.

ATTENTION: Separate terms and conditions for electronic articles are applicable.

Required miscellaneous



eSET Touchfree Basin mixer without temperature setting for combining with wall-mounted fittings -
 • min. recess depth 90 mm
 • max. recess depth 125 mm

35 743 970 90

Required miscellaneous



eSET Touchfree Basin mixer without temperature setting for combining with free-standing fittings -

35 742 970 90

Recommended miscellaneous

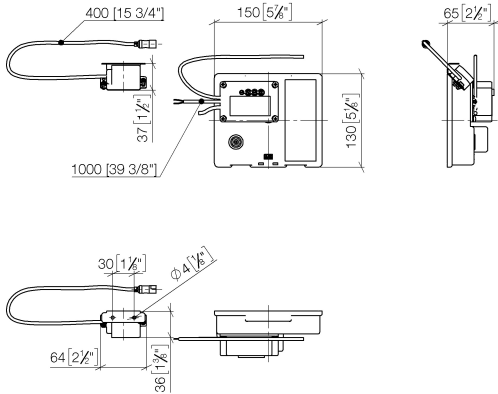
Extension for Touchfree 500 mm - 12 765 970 90



CYO eSET Touchfree Basin mixer without pop-up waste without temperature setting - Chrome

CYO

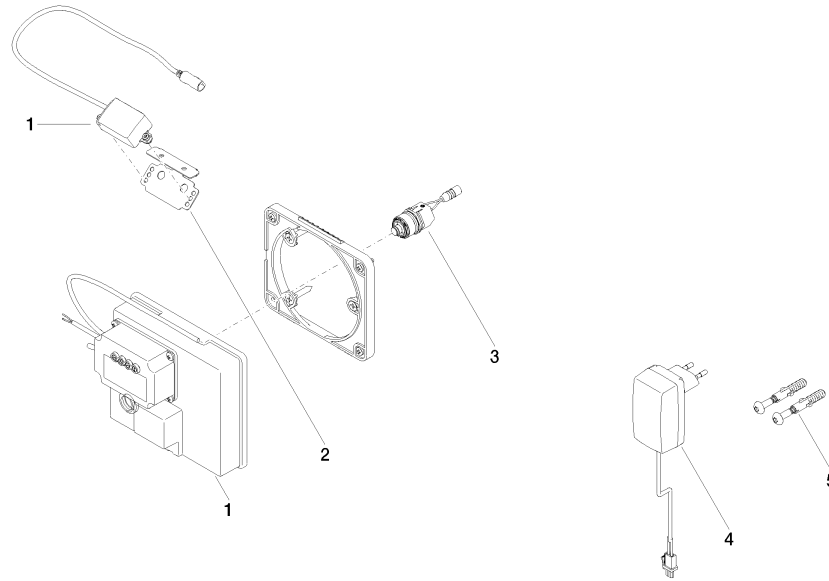
ST 010 204 1R11
mm [inches]



Certificates

LGA_29120.	WRAS_1906116.	IAPMO_EGS.	CE000001_eSet_Tou chfree_20171206_D E_signed.	CE000002_eSet_Tou chfree_20171206_E N_signed.
LGA_29119.				

ST 010 204 1R11



Spare parts list

No.	Item Number	Name	Quantity used	Delivery time
1	90 10 01 177 00 90	electronic accessories	1	2
2	90 17 20 199 00 90	holder	1	2
3	04 30 50 079 00 90	valve	1	2
4	04 10 01 050 00 90	power supply	1	60
5	04 30 31 024 01 90	fixing set	1	2








CYO eSET Touchfree Basin mixer without pop-up waste without temperature setting - Chrome

CYO

ST 010 204 1R11



- 160mm projection
- fixed spout
- rectangular, air-enriched flow
- hole diameter 37 mm
- 1/2" connection
- max. flow 4.5 l/min
- lead-free
- This product can help a building meet the requirements of Green Building Rating Systems, e.g. LEED®, BREEAM®, DGNB

	Chrome	13 800 811-00
	Brushed Platinum	13 800 811-06
	Dark Chrome	13 800 811-19
	Brushed Durabronz (23kt Gold)	13 800 811-28
	Platinum / Brushed Platinum	13 800 811-36
	Durabronz / Brushed Durabronz (23kt Gold)	13 800 811-38
	Brushed Dark Platinum	13 800 811-99

Recommended miscellaneous



- Concealed wall elbow -** 35 085 970 90
- max. recess depth 163 mm
 - min. recess depth 90 mm

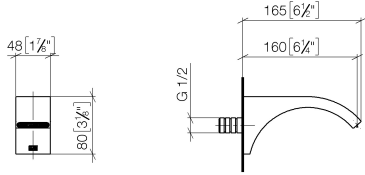


CYO eSET Touchfree Basin mixer without pop-up waste without temperature setting - Chrome

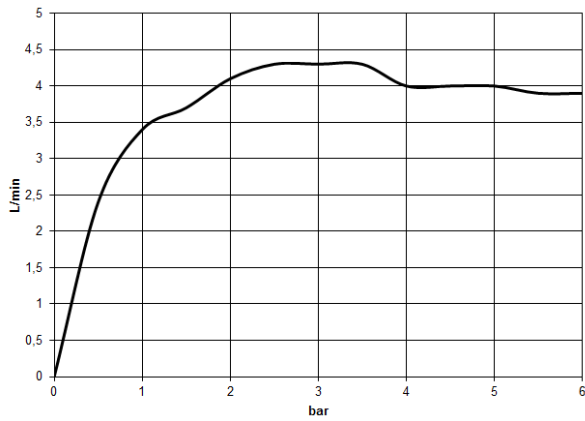
CYO

ST 010 204 1811

ST 010 204 1R11
mm [inches]

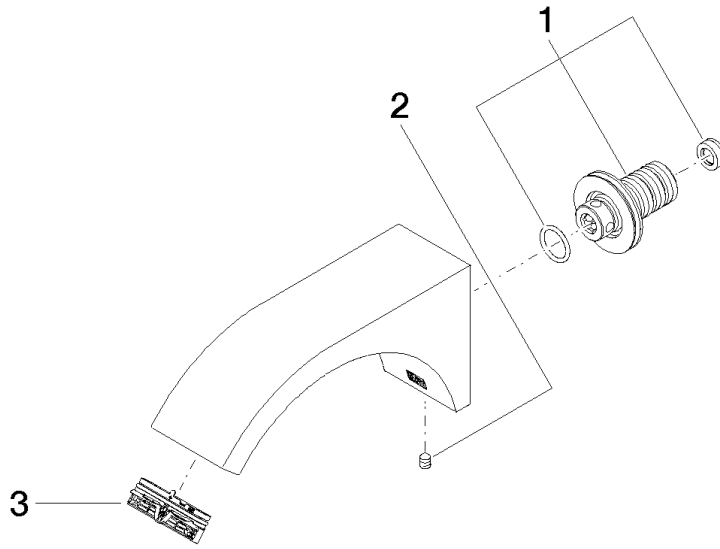


Flow rate chart



Certificates

LGA_38116. IAPMO_8834 (2). IAPMO_N-4976. IAPMO_4976 (6). IAPMO_6397.



Spare parts list

No.	Item Number	Name	Quantity used	Delivery time
1	90 24 03 108 01 90	nipple set	1	2
2	90 31 11 004 00 90	pin	1	2
3	90 29 03 121 00 90	aerator	1	2