

ST 050 204 1980



Fits: IMO, MEM, CL.1, CYO

- slide bar
- Pipe diameter 18 mm
- rosette 60 x 60 mm
- gauge 800 mm
- metal shower hose 1750mm with integrated anti-twist protection
- shower hose connector 3/8"
- Four settings: COMPACT RAIN, COMPACT SOFT FLOW, COMPACT AQUAPRESSURE FLOW, COMPACT CASCADE, max. flow rate 15 l/min (at 3 bar)
- spray head Ø 120mm

	Chrome	ST 050 204 1980-00
	Chrome	ST 050 204 7980-00 0010
	Brushed Platinum	ST 050 204 1980-06
	Brushed Platinum	ST 050 204 7980-06 0010
	Platinum	ST 050 204 1980-08
	Platinum	ST 050 204 7980-08 0010
	Dark Chrome	ST 050 204 1980-19
	Dark Chrome	ST 050 204 7980-19 0010
	Brushed Light Gold	ST 050 204 7980-27 0010
	Brushed Light Gold	ST 050 204 1980-27
	Brushed Durabrass (23kt Gold)	ST 050 204 1980-28
	Brushed Durabrass (23kt Gold)	ST 050 204 7980-28 0010
	Matte Black	ST 050 204 1980-33
	Matte Black	ST 050 204 7980-33 0010
	Brushed Champagne (22kt Gold)	ST 050 204 1980-46
	Brushed Champagne (22kt Gold)	ST 050 204 7980-46 0010
	Champagne (22kt Gold)	ST 050 204 1980-47
	Champagne (22kt Gold)	ST 050 204 7980-47 0010
	Brushed Chrome	ST 050 204 1980-93
	Brushed Chrome	ST 050 204 7980-93 0010
	Brushed Dark Platinum	ST 050 204 1980-99
	Brushed Dark Platinum	ST 050 204 7980-99 0010

Individual components of this set

You need the following components for this set



1x 26 413 980-00



1x 28 012 979-00



SYMETRICS Shower set - Chrome

IMO

ST 050 204 1980

ST 050 204 1980



Fits: IMO, MEM, CL.1, CYO

- slide bar
- Pipe diameter 18 mm
- rosette 60 x 60 mm
- gauge 800 mm
- metal shower hose 1750mm with integrated anti-twist protection
- shower hose connector 3/8"

This article does not include a hand shower!

	Chrome	26 413 980-00
	Brushed Platinum	26 413 980-06
	Platinum	26 413 980-08
	Dark Chrome	26 413 980-19
	Brushed Light Gold	26 413 980-27
	Brushed Durabronze (23kt Gold)	26 413 980-28
	Matte Black	26 413 980-33
	Brushed Champagne (22kt Gold)	26 413 980-46
	Champagne (22kt Gold)	26 413 980-47
	Brushed Chrome	26 413 980-93
	Brushed Dark Platinum	26 413 980-99

Recommended miscellaneous



Concealed wall elbow - 35 085 970 90
 •max. recess depth 163 mm
 •min. recess depth 90 mm

Recommended miscellaneous



Wall elbow - Chrome 28 450 980-00

Required miscellaneous



Hand shower - Chrome 28 016 979-00

Required miscellaneous



Hand shower - Chrome 28 012 979-00

Required miscellaneous



Hand shower FlowReduce - Chrome 28 016 979-00 0010

Required miscellaneous



Hand shower FlowReduce - Chrome 28 012 979-00 0010

Required miscellaneous



Hand shower - Chrome 28 017 979-00

Required miscellaneous



Hand shower - Chrome 28 018 979-00

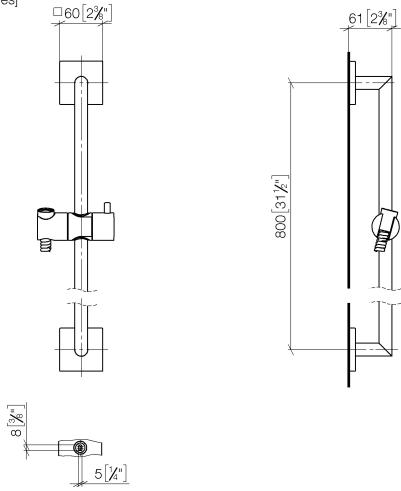
Required miscellaneous



Hand shower FlowReduce - Chrome 28 018 979-00 0010

ST 050 204 1980

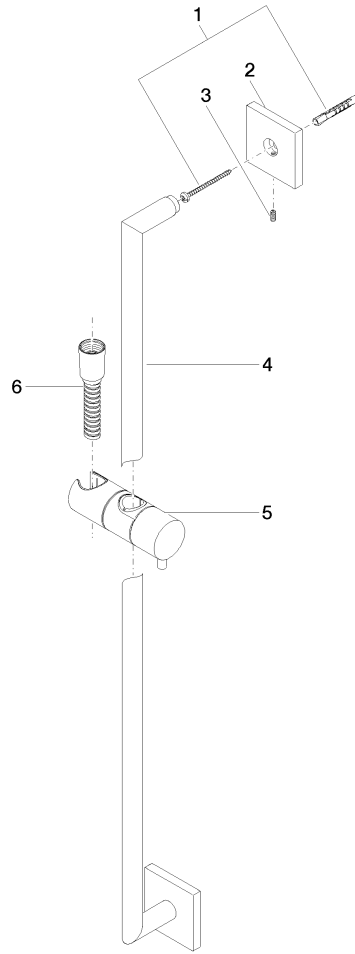
mm [inches]



Certificates

WRAS_2009048. ACS_20 ACC LY 738. IAPMO_4976 (1).

ST 050 204 1980



Spare parts list

No.	Item Number	Name	Quantity used	Delivery time
1	05 30 31 025 00 90	fixing set	2	2
2	08 17 98 507-00	holder	2	10
3	09 31 11 061 90	pin	2	2
4	05 28 22 590 01-00	bar	1	10
5	12 580 970-00	Slide unit - Chrome	1	10
6	28 322 970-00	Metal shower hose 1/2" x 3/8" x 1750 mm - Chrome	1	2

ST 050 204 1980



- Four settings: COMPACT RAIN, COMPACT SOFT FLOW, COMPACT AQUAPRESSURE FLOW, COMPACT CASCADE, max. flow rate 15 l/min (at 3 bar)
- with anti-scale system
- spray head Ø 120mm
- 1/2" connection

Intrinsic protection against back flow.

Fits: IMO, LULU, MADISON, MEM, TARA, CL.1, LISSÉ, VAIA, META, CYO

	Chrome	28 012 979-00
	Chrome	28 012 979-00 0010
	Brushed Platinum	28 012 979-06 0010
	Brushed Platinum	28 012 979-06
	Platinum	28 012 979-08 0010
	Platinum	28 012 979-08
	Dark Chrome	28 012 979-19
	Dark Chrome	28 012 979-19 0010
	Light Gold	28 012 979-26 0010
	Light Gold	28 012 979-26
	Brushed Light Gold	28 012 979-27 0010
	Brushed Light Gold	28 012 979-27
	Brushed Durabronze (23kt Gold)	28 012 979-28
	Brushed Durabronze (23kt Gold)	28 012 979-28 0010
	Matte Black	28 012 979-33 0010
	Matte Black	28 012 979-33
	Brushed Bronze	28 012 979-42 0010
	Brushed Bronze	28 012 979-42
	Brushed Champagne (22kt Gold)	28 012 979-46
	Brushed Champagne (22kt Gold)	28 012 979-46 0010
	Champagne (22kt Gold)	28 012 979-47
	Champagne (22kt Gold)	28 012 979-47 0010
	Brushed Chrome	28 012 979-93
	Brushed Chrome	28 012 979-93 0010
	Brushed Dark Platinum	28 012 979-99 0010
	Brushed Dark Platinum	28 012 979-99



SYMETRICS Shower set - Chrome

IMO

ST 050 204 1980



SYMETRICS Shower set - Chrome

IMO

ST 050 204 1980



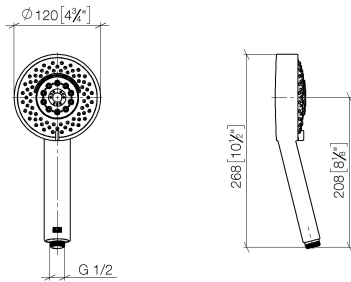
SYMETRICS Shower set - Chrome

IMO

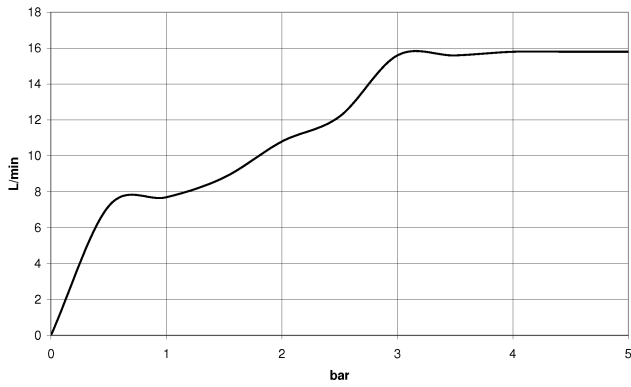
ST 050 204 1980

ST 050 204 1980

mm [inches]



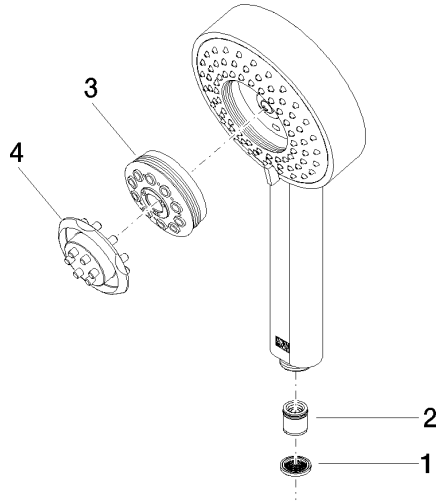
Flow rate chart



Certificates

LGA_29980.

ST 050 204 1980



Spare parts list

No.	Item Number	Name	Quantity used	Delivery time
1	09 23 01 039 90	sieve	1	2
2	09 23 01 046 90	back-flow preventer	1	2
3	04 12 11 071 00 90	shower	1	2
4	09 30 09 022 90	key	1	2