







TARA ULTRA Two-hole mixer with individual rosettes with profi spray set - Chrome

TARA ULTRA

ST 110 110 0875



- 241mm projection
- pivotable spout 360°
- Optional swivel limiter available with swivel limiter set 12 820 970 90
- air-enriched flow and spray flow
- automatic spout/shower diverter
- sprayface with anti-scaling system
- max. flow 8 l/min at 3 bar flow pressure
- lead-free
- This product can help a building meet the requirements of Green Building Rating Systems, e.g. LEED®, BREEAM®, DGNB

| | | |
|--|-----------------------|--------------------|
|  | Chrome | ST 110 110 0875-00 |
|  | Brushed Platinum | ST 110 110 0875-06 |
|  | Platinum | ST 110 110 0875-08 |
|  | Dark Chrome | ST 110 110 0875-19 |
|  | Brushed Chrome | ST 110 110 0875-93 |
|  | Brushed Dark Platinum | ST 110 110 0875-99 |

Individual components of this set

You need the following components for this set



1x 32 815 875-00



1x 27 799 970-00



TARA ULTRA Two-hole mixer with individual rosettes with profi spray set -
Chrome

TARA ULTRA

ST 110 110 0875

ST 110 110 0875



- 241mm projection
- pivotable spout 360°
- Optional swivel limiter available with swivel limiter set 12 820 970 90
- air-enriched flow
- max. flow 8 l/min at 3 bar flow pressure
- lead-free
- This product can help a building meet the requirements of Green Building Rating Systems, e.g. LEED®, BREEAM®, DGNB

Operating unit can be positioned freely.

| | | |
|--|-------------------------------|---------------|
|  | Chrome | 32 815 875-00 |
|  | Brushed Platinum | 32 815 875-06 |
|  | Platinum | 32 815 875-08 |
|  | Durabross (23kt Gold) | 32 815 875-09 |
|  | Dark Chrome | 32 815 875-19 |
|  | Brushed Durabross (23kt Gold) | 32 815 875-28 |
|  | Matte Black | 32 815 875-33 |
|  | Brushed Champagne (22kt Gold) | 32 815 875-46 |
|  | Champagne (22kt Gold) | 32 815 875-47 |
|  | Brushed Chrome | 32 815 875-93 |
|  | Brushed Dark Platinum | 32 815 875-99 |

Recommended miscellaneous



Swivel limitation set - 12 820 970 90

Recommended miscellaneous



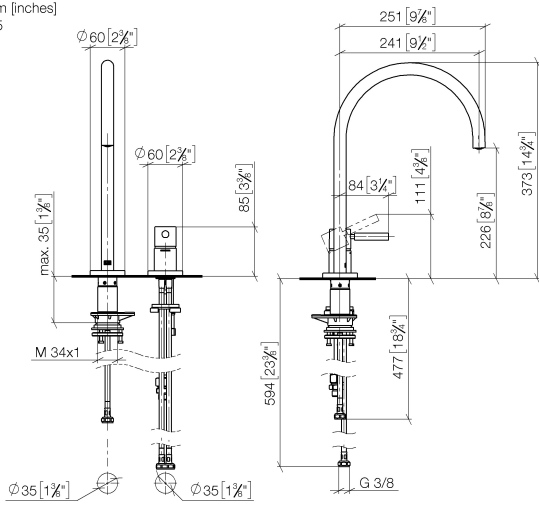
Strainer waste with control handle - Chrome 10 710 970-00

Recommended miscellaneous

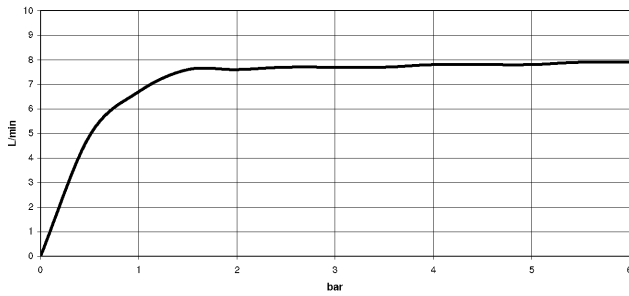


Dispenser with rosette - Chrome 82 444 970-00

ST 110 110 0875
mm [inches]
1:5



Flow rate chart

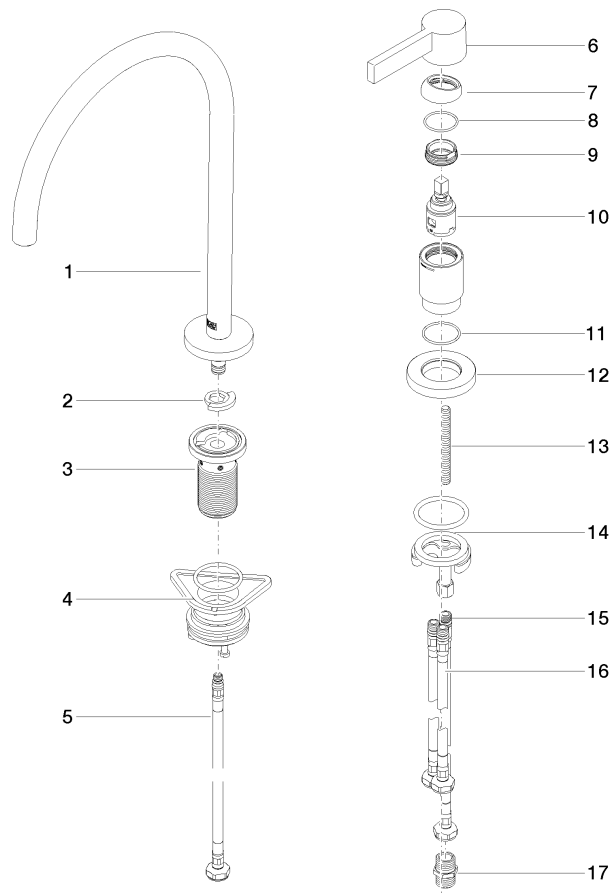


Certificates

LGA_38639.

WRAS_240102014.

ST 110 110 0875



Spare parts list

| No. | Item Number | Name | Quantity used | Delivery time |
|--|--------------------|-------------------------|---------------|---------------|
| 1 | 90 28 22 377 00-00 | spout | 1 | 10 |
| 2 | 12 820 970 90 | Swivel limitation set - | 1 | 2 |
| 3 | 90 30 01 299 00 90 | shaft | 1 | 2 |
| 4 | 04 23 10 044 08 90 | fixing set | 1 | 2 |
| 5 | 04 30 04 100 00 90 | hose | 1 | 2 |
| 6 | 90 20 87 003 00-00 | handle | 1 | - |
| Spare part can no longer be ordered, please order the replacement item | | | | |
| 7 | 09 28 30 026-00 | cover | 1 | 10 |
| 8 | 09 14 10 091 90 | seal | 1 | 2 |
| 9 | 09 24 04 266 90 | nut | 1 | 2 |
| 10 | 90 15 05 042 00 90 | cartridge | 1 | 2 |
| 11 | 09 14 10 110 90 | seal | 1 | 2 |
| 12 | 09 27 97 040-00 | rosette | 1 | 10 |
| 13 | 09 31 11 011 90 | pin | 1 | 2 |
| 14 | 04 30 11 085 97 90 | fixing set | 1 | 2 |
| 15 | 04 30 04 104 00 90 | hose | 1 | 2 |
| 16 | 04 30 04 105 00 90 | hose | 2 | 2 |
| 17 | 90 24 03 250 00 90 | nipple | 1 | 2 |

**TARA ULTRA Two-hole mixer with individual rosettes with profi spray set -
Chrome**

TARA ULTRA

ST 110 110 0875









- spray flow
- automatic diverter for spout/Profi spray set
- height of mixer 665 mm
- individual rosette diameter 55mm
- profi spray hole diameter 30mm
- sprayface with anti-scaling system
- lead-free

Can only be combined with 32815682, 33826861, 32815861, 33836888, 32816888, 20816892, 33836875, 32815875.

Intrinsic protection against back flow.

Operating unit can be positioned freely.

| | | |
|--|-----------------------|---------------|
|  | Chrome | 27 799 970-00 |
|  | Brushed Platinum | 27 799 970-06 |
|  | Platinum | 27 799 970-08 |
|  | Dark Chrome | 27 799 970-19 |
|  | Brushed Chrome | 27 799 970-93 |
|  | Brushed Dark Platinum | 27 799 970-99 |

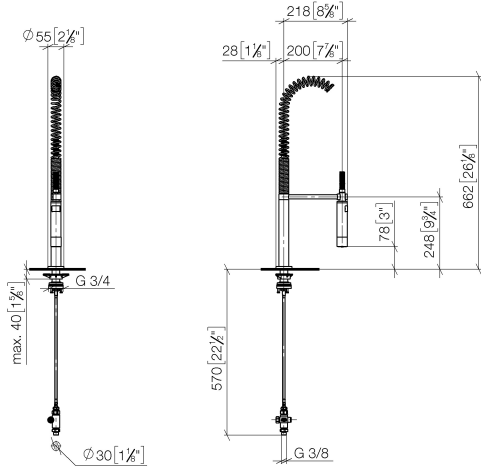


TARA ULTRA Two-hole mixer with individual rosettes with profi spray set -
Chrome

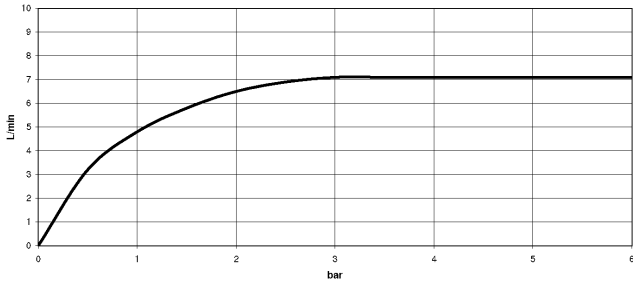
TARA ULTRA

ST 110 110 0875

ST 110 110 0875
mm [inches]
1:10



Flow rate chart

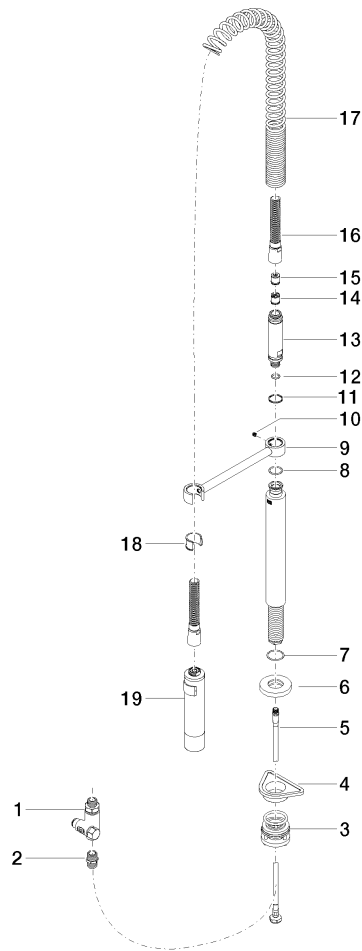


Certificates

LGA_38647.

Belgaqua_24-005-
27_3.

ST 110 110 0875
Parts for other
finishes can be found
here: Brushed
Platinum



Spare parts list

| No. | Item Number | Name | Quantity used | Delivery time |
|--|--------------------|---------------------|---------------|---------------|
| 1 | 90 17 09 046 12 90 | diverter | 1 | 2 |
| 2 | 90 24 03 250 00 90 | nipple | 1 | 2 |
| 3 | 04 23 10 004 03 90 | fixing set | 1 | 2 |
| 4 | 09 18 40 090 90 | sleeve | 1 | 2 |
| 5 | 04 30 04 104 00 90 | hose | 1 | 2 |
| 6 | 90 27 86 000 00-00 | rosette | 1 | - |
| Spare part can no longer be ordered, please order the replacement item | | | | |
| 7 | 09 14 10 120 90 | seal | 1 | 2 |
| 8 | 09 14 10 031 90 | seal | 1 | 2 |
| 9 | 04 17 20 014 00-00 | holder | 1 | 10 |
| 10 | 09 31 11 049 90 | pin | 1 | 2 |
| 11 | 09 14 15 012 90 | ring | 1 | 2 |
| 12 | 09 14 10 003 90 | seal | 1 | 2 |
| 13 | 09 30 01 067 10-00 | adaptor | 1 | 10 |
| 14 | 90 23 01 141 00 90 | back-flow preventer | 1 | 2 |
| 15 | 09 23 01 046 90 | back-flow preventer | 1 | 2 |
| 16 | 90 30 02 065 00-00 | hose | 1 | 10 |
| 17 | 09 16 02 034 90 | spring | 1 | 2 |
| 18 | 90 18 40 035 00 90 | sleeve | 1 | 2 |
| 19 | 04 12 11 094 10-00 | shower | 1 | 10 |