

TARA Three-hole mixer with rinsing spray set - Brushed Champagne (22kt Gold)

TARA

ST 110 201 1892



- 235mm projection
- pivotable spout 360°
- air-enriched flow and spray flow
- height of mixer 370 mm
- height up to aerator 212 mm
- hole diameter spout 35 mm
- hole diameter valve 32 mm
- hole diameter rinsing spray 32mm
- fabric braided hose 1500 mm
- automatic spout/shower diverter
- sprayface with anti-scaling system
- max. flow 7 l/min at 3 bar flow pressure
- lead-free
- This product can help a building meet the requirements of Green Building Rating Systems, e.g. LEED®, BREEAM®, DGNB

| | | |
|--|--------------------------------|--------------------|
| | Brushed Champagne (22kt Gold) | ST 110 201 1892-46 |
| | Chrome | ST 110 201 1892-00 |
| | Brushed Platinum | ST 110 201 1892-06 |
| | Platinum | ST 110 201 1892-08 |
| | Durabronze (23kt Gold) | ST 110 201 1892-09 |
| | Dark Chrome | ST 110 201 1892-19 |
| | Brushed Durabronze (23kt Gold) | ST 110 201 1892-28 |
| | Matte Black | ST 110 201 1892-33 |
| | Champagne (22kt Gold) | ST 110 201 1892-47 |
| | Brushed Chrome | ST 110 201 1892-93 |
| | Brushed Dark Platinum | ST 110 201 1892-99 |

Individual components of this set

You need the following components for this set



1x 20 815 892-46



1x 27 721 970-46



TARA Three-hole mixer with rinsing spray set - Brushed Champagne (22kt Gold)

TARA

ST 110 201 1892

TARA Three-hole mixer with rinsing spray set - Brushed Champagne (22kt Gold)

TARA

ST 110 201 1892



- 235mm projection
- pivotable spout 360°
- air-enriched flow
- height of mixer 370 mm
- height up to aerator 212 mm
- hole diameter spout 35 mm
- hole diameter valve 32 mm
- max. flow 7 l/min at 3 bar flow pressure
- lead-free
- This product can help a building meet the requirements of Green Building Rating Systems, e.g. LEED®, BREEAM®, DGNB
- WRAS 2107052

| | | |
|---|--------------------------------|---------------|
|  | Brushed Champagne (22kt Gold) | 20 815 892-46 |
|  | Chrome | 20 815 892-00 |
|  | Brushed Platinum | 20 815 892-06 |
|  | Platinum | 20 815 892-08 |
|  | Durabronze (23kt Gold) | 20 815 892-09 |
|  | Dark Chrome | 20 815 892-19 |
|  | Brushed Durabronze (23kt Gold) | 20 815 892-28 |
|  | Matte Black | 20 815 892-33 |
|  | Champagne (22kt Gold) | 20 815 892-47 |
|  | Brushed Chrome | 20 815 892-93 |
|  | Brushed Dark Platinum | 20 815 892-99 |

Recommended miscellaneous

Dispenser with rosette - Brushed Champagne (22kt Gold) 82 444 970-46

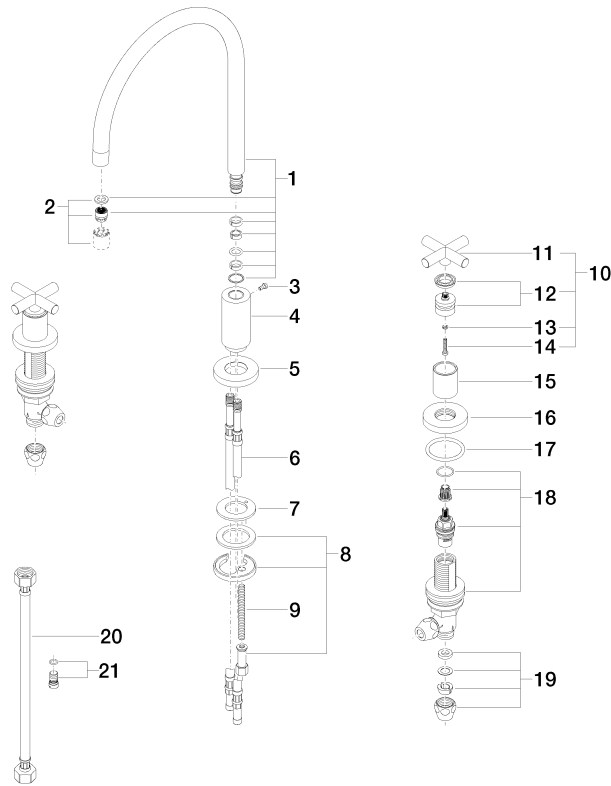


Recommended miscellaneous

Strainer waste with control handle - Brushed Champagne (22kt Gold) 10 710 970-46



ST 110 201 1892
Parts for other
finishes can be found
here: Chrome



Spare parts list

| No. | Item Number | Name | Quantity used | Delivery time |
|--|--------------------|---|---------------|---------------|
| 1 | 90 28 22 226 01-46 | spout | 1 | 30 |
| 2 | 90 23 01 028 03-46 | aerator | 1 | 30 |
| 3 | 09 30 30 057 90 | screw | 1 | 2 |
| 4 | 09 11 10 088 10-46 | connection | 1 | 30 |
| 5 | 09 28 10 140-46 | ring | 1 | 60 |
| 6 | 04 30 04 019 00 90 | hose | 2 | 2 |
| 7 | 09 14 05 047 90 | seal | 1 | 2 |
| 8 | 04 30 11 038 00 90 | fixing set | 1 | 2 |
| 9 | 09 31 11 011 90 | pin | 1 | 2 |
| 10 | 90 20 89 010 10-46 | handle | 2 | 30 |
| 11 | 09 20 89 010-46 | handle | 2 | 60 |
| 12 | 90 12 12 007 00-46 | base | 2 | 30 |
| 13 | 90 30 11 029 00 90 | disc | 2 | 2 |
| 14 | 90 30 30 075 00 90 | screw | 2 | 2 |
| 15 | 09 21 02 140-46 | sleeve | 2 | 60 |
| 16 | 09 27 89 105-46 | rosette | 2 | 60 |
| 17 | 90 14 10 043 00 90 | seal | 2 | 2 |
| 18 | 90 17 11 040 51 90 | side panel | 2 | 2 |
| 19 | 90 23 30 040 00-46 | threaded connector | 4 | - |
| Spare part can no longer be ordered, please order the replacement item | | | | |
| 20 | 12 501 970 90 | High pressure hose 1/2" x 1/2" x 300 mm - | 2 | - |
| Spare part can no longer be ordered, please order the replacement item | | | | |
| 21 | 04 31 20 046 10 92 | set | 1 | 2 |

TARA Three-hole mixer with rinsing spray set - Brushed Champagne (22kt Gold)

TARA

ST 110 201 1892



Fits: ELIO, TARA, TARA ULTRA

- with round rosette
- spray flow
- automatic spout/shower diverter
- height of mixer 191 mm
- hole diameter rinsing spray 32mm
- fabric braided hose 1500 mm
- sprayface with anti-scaling system
- lead-free

Can only be combined with 33826790, 32800790, 33826888, 32815888, 20815892, 33826875.

Intrinsic protection against back flow.

| | | |
|--|-------------------------------|---------------|
|  | Brushed Champagne (22kt Gold) | 27 721 970-46 |
|  | Chrome | 27 721 970-00 |
|  | Brushed Platinum | 27 721 970-06 |
|  | Platinum | 27 721 970-08 |
|  | Durabrand (23kt Gold) | 27 721 970-09 |
|  | Dark Chrome | 27 721 970-19 |
|  | Brushed Durabrand (23kt Gold) | 27 721 970-28 |
|  | Matte Black | 27 721 970-33 |
|  | Champagne (22kt Gold) | 27 721 970-47 |
|  | Brushed Chrome | 27 721 970-93 |
|  | Brushed Dark Platinum | 27 721 970-99 |

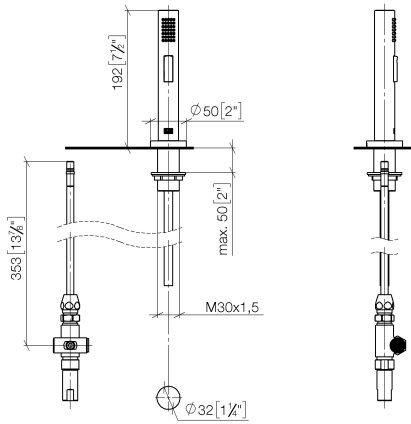


TARA Three-hole mixer with rinsing spray set - Brushed Champagne (22kt Gold)

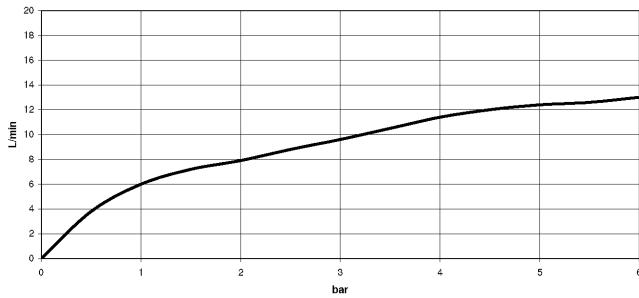
TARA

ST 110 201 1892

ST 110 201 1802
mm [inches]



Flow rate chart



Certificates

LGA_18901.

IAPMO_N-4976 (2). LGA_29572.

IAPMO_6397.

TARA Three-hole mixer with rinsing spray set - Brushed Champagne (22kt Gold)

TARA

ST 110 201 1892
 Parts for other
 finishes can be found
 here: [Chrome](#)

