

ST 110 202 7809



- 241mm projection
- pivotable spout 360°
- air-enriched flow and spray flow
- fabric braided hose 1500 mm
- automatic spout/shower diverter
- sprayface with anti-scaling system
- max. flow 7 l/min at 3 bar flow pressure
- lead-free
- This product can help a building meet the requirements of Green Building Rating Systems, e.g. LEED®, BREEAM®, DGNB

	Brushed Chrome	ST 110 202 7809-93
	Chrome	ST 110 202 7809-00
	Brushed Platinum	ST 110 202 7809-06
	Platinum	ST 110 202 7809-08
	Durabronze (23kt Gold)	ST 110 202 7809-09
	Dark Chrome	ST 110 202 7809-19
	Brushed Durabronze (23kt Gold)	ST 110 202 7809-28
	Matte Black	ST 110 202 7809-33
	Brushed Champagne (22kt Gold)	ST 110 202 7809-46
	Champagne (22kt Gold)	ST 110 202 7809-47
	Brushed Dark Platinum	ST 110 202 7809-99

Individual components of this set

You need the following components for this set



1x 19 825 809-93



1x 27 731 809-93



VAIA Two-hole bridge mixer with rinsing spray set - Brushed Chrome

VAIA

ST 110 202 7809

ST 110 202 7809



- 241mm projection
- pivotable spout 360°
- air-enriched flow
- max. flow 7 l/min at 3 bar flow pressure
- lead-free
- This product can help a building meet the requirements of Green Building Rating Systems, e.g. LEED®, BREEAM®, DGNB

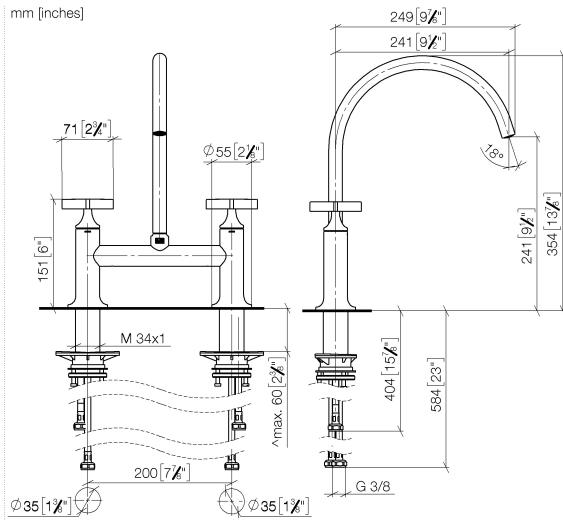
	Brushed Chrome	19 825 809-93
	Chrome	19 825 809-00
	Brushed Platinum	19 825 809-06
	Platinum	19 825 809-08
	Durabrand (23kt Gold)	19 825 809-09
	Dark Chrome	19 825 809-19
	Brushed Durabrand (23kt Gold)	19 825 809-28
	Matte Black	19 825 809-33
	Brushed Champagne (22kt Gold)	19 825 809-46
	Champagne (22kt Gold)	19 825 809-47
	Brushed Dark Platinum	19 825 809-99

Recommended miscellaneous

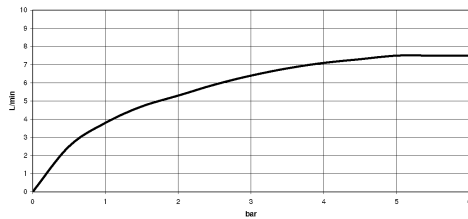
VAIA Dispenser with rosette - Brushed Chrome 82 434 809-93



ST 110 202 7809



Flow rate chart

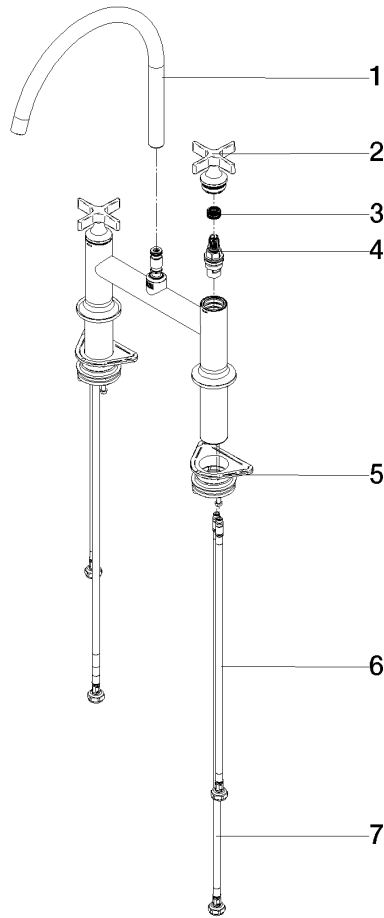


Certificates

LGA_38632.

ST 110 202 7809

Parts for other finishes can be found here: [Chrome](#)



Spare parts list

No.	Item Number	Name	Quantity used	Delivery time
1	90 28 22 396 00-93	spout	1	-
Spare part can no longer be ordered, please order the replacement item				
2	90 20 80 036 00-93	handle	2	-
Spare part can no longer be ordered, please order the replacement item				
3	90 12 12 232 00 90	fixing cap	2	2
4	90 90 03 131 00 90	top	2	2
5	04 30 11 040 00 90	fixing set	2	2
6	04 30 04 100 00 90	hose	2	2
7	04 30 04 101 00 90	hose	2	2

ST 110 202 7809



- with round rosette
- spray flow
- automatic spout/shower diverter
- height of mixer 202 mm
- hole diameter rinsing spray 32mm
- fabric braided hose 1500 mm
- sprayface with anti-scaling system
- lead-free

Can only be combined with 33810809, 33826809, 19815809, 19825809.

Intrinsic protection against back flow.

Residual water may emerge from the spray after closing.

Operating unit can be positioned freely.

	Brushed Chrome	27 731 809-93
	Chrome	27 731 809-00
	Brushed Platinum	27 731 809-06
	Platinum	27 731 809-08
	Durabrand (23kt Gold)	27 731 809-09
	Dark Chrome	27 731 809-19
	Brushed Durabrand (23kt Gold)	27 731 809-28
	Matte Black	27 731 809-33
	Brushed Champagne (22kt Gold)	27 731 809-46
	Champagne (22kt Gold)	27 731 809-47
	Brushed Dark Platinum	27 731 809-99



VAIA Two-hole bridge mixer with rinsing spray set - Brushed Chrome

VAIA

ST 110 202 7809

ST 110 202 7809

mm [inches]



Certificates

Belgaqua_24-005-
27_3.



VAIA Two-hole bridge mixer with rinsing spray set - Brushed Chrome

VAIA

ST 110 202 7809



VAIA Two-hole bridge mixer with rinsing spray set - Brushed Chrome

VAIA

ST 110 202 7809



VAIA Two-hole bridge mixer with rinsing spray set - Brushed Chrome

VAIA

ST 110 202 7809