

META Bath spout without diverter for free-standing assembly - Dark Chrome

META

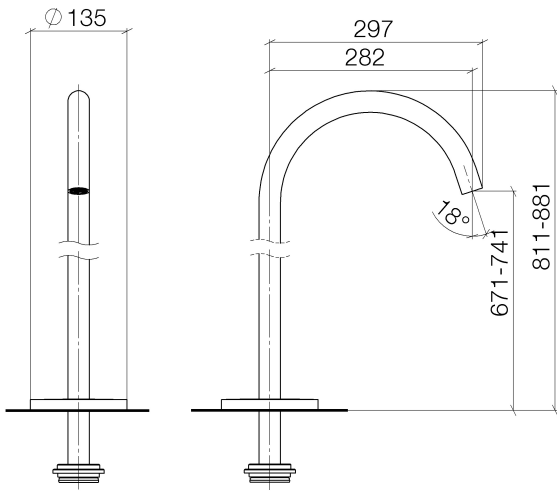
13 672 661



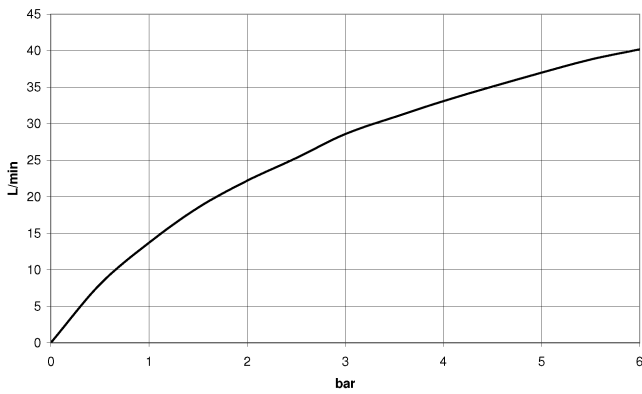
- 282mm projection
- circular normal flow
- total height 811 - 881 mm
- height up to aerator 671 – 741 mm
- slide-on rosettes Ø 135 mm
- max. flow 28.6 l/min at 3 bar flow pressure
- WRAS 2001026

| | | |
|--|-------------------------------|---------------|
|  | Dark Chrome | 13 672 661-19 |
|  | Chrome | 13 672 661-00 |
|  | Brushed Platinum | 13 672 661-06 |
|  | Light Gold | 13 672 661-26 |
|  | Brushed Light Gold | 13 672 661-27 |
|  | Matte Black | 13 672 661-33 |
|  | Brushed Bronze | 13 672 661-42 |
|  | Brushed Champagne (22kt Gold) | 13 672 661-46 |
|  | Champagne (22kt Gold) | 13 672 661-47 |
|  | Brushed Chrome | 13 672 661-93 |
|  | Brushed Dark Platinum | 13 672 661-99 |

13 672 661



Flow rate chart



Codes & Standards

DIN 4109

ISO 3822

Ü-Zeichen



META Bath spout without diverter for free-standing assembly - Dark Chrome

META

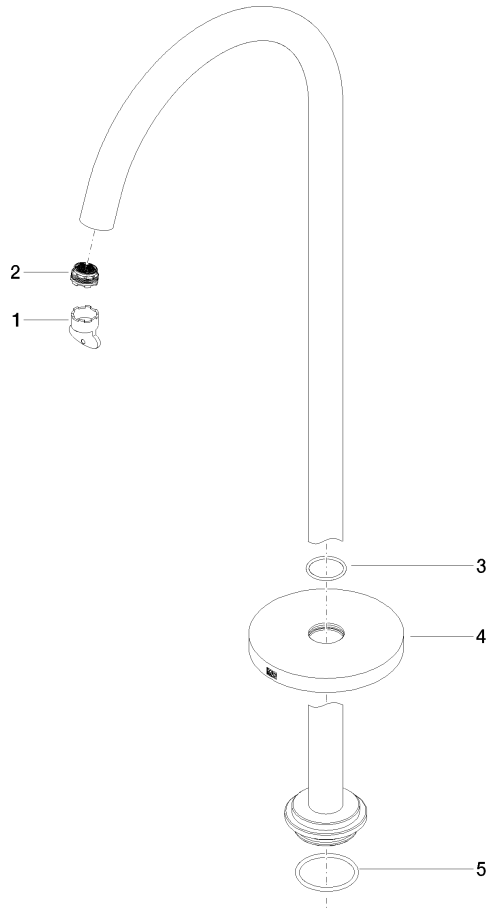
13 672 661

Certificates

LGA_18

13 672 661

Parts for other finishes can be found here: [Chrome](#)





META Bath spout without diverter for free-standing assembly - Dark Chrome

META

13 672 661

Spare parts list