

Deck-mounted basin spout without pop-up waste - Dark Chrome

TARA

13 716 882



Fits: TARA, META

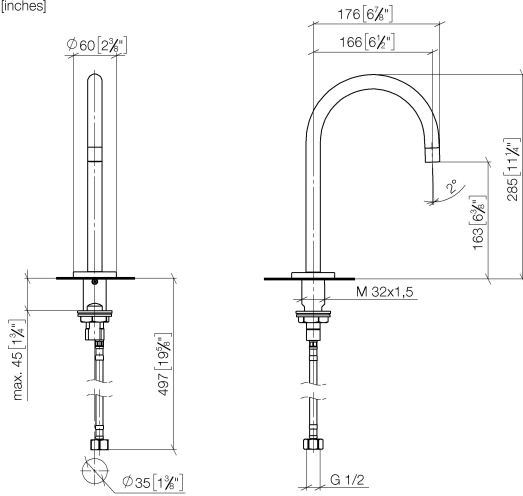
- 166mm projection
- pivotable spout 360°
- circular, air-enriched flow
- height of mixer 285 mm
- height up to aerator 163 mm
- hole diameter 35 mm
- rosette Ø 60 mm
- 2x screw-in M 10 x 1 pressure hose, leak-tested
- 1/2" connection
- max. flow 7 l/min
- lead-free
- This product can help a building meet the requirements of Green Building Rating Systems, e.g. LEED®, BREEAM®, DGNB
- WRAS

For Touchfree control please order eSet Touchfree WITH or WITHOUT temperature adjustment

	Dark Chrome	13 716 882-19
	Chrome	13 716 882-00
	Brushed Durabronze (23kt Gold)	13 716 882-28
	Brushed Bronze	13 716 882-42
	Brushed Champagne (22kt Gold)	13 716 882-46
	Champagne (22kt Gold)	13 716 882-47
	Brushed Chrome	13 716 882-93
	Brushed Dark Platinum	13 716 882-99

13 716 882

mm [inches]



Flow rate chart



Codes & Standards

DIN 4109

Executive Order
no. 1007

ISO 3822

Ü-Zeichen



Deck-mounted basin spout without pop-up waste - Dark Chrome

TARA

13 716 882

Certificates

LGA_29

GDV_0400

13 716 882

Parts for other
finishes can be found
here: [Chrome](#)

