

Deck-mounted basin spout without pop-up waste - Brushed Chrome

TARA

13 716 882 Product version from 3/13/2017



Fits: TARA, META

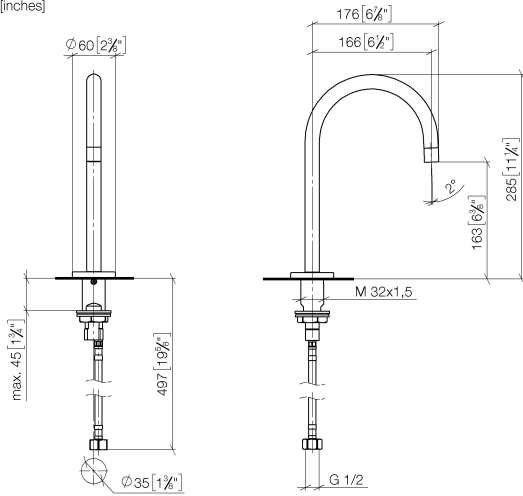
- 166mm projection
- pivotable spout 360°
- circular, air-enriched flow
- height of mixer 285 mm
- height up to aerator 163 mm
- hole diameter 35 mm
- rosette Ø 60 mm
- 2x screw-in M 10 x 1 pressure hose, leak-tested
- 1/2" connection
- max. flow 7 l/min
- lead-free
- This product can help a building meet the requirements of Green Building Rating Systems, e.g. LEED®, BREEAM®, DGNB
- WRAS

For Touchfree control please order eSet Touchfree WITH or WITHOUT temperature adjustment

	Brushed Chrome	13 716 882-93
	Chrome	13 716 882-00
	Dark Chrome	13 716 882-19
	Brushed Durabronze (23kt Gold)	13 716 882-28
	Brushed Bronze	13 716 882-42
	Brushed Champagne (22kt Gold)	13 716 882-46
	Champagne (22kt Gold)	13 716 882-47
	Brushed Dark Platinum	13 716 882-99

13 716 882 Product version from 3/13/2017

mm [inches]



Flow rate chart



Codes & Standards

DIN 4109

Executive Order
no. 1007

ISO 3822

Ü-Zeichen



Deck-mounted basin spout without pop-up waste - Brushed Chrome

TARA

13 716 882 Product version from 3/13/2017

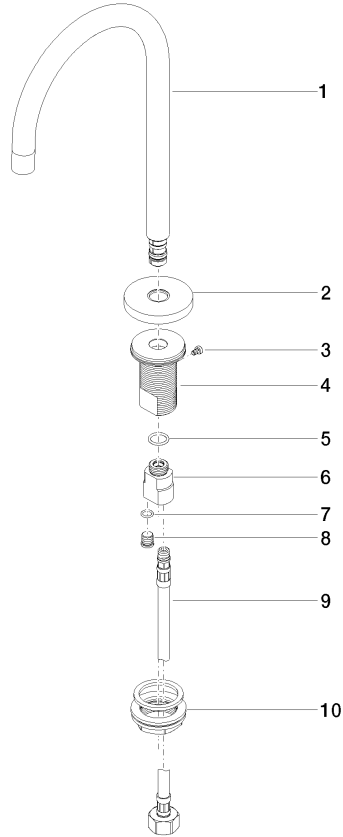
Certificates

LGA_29

GDV_0400

13 716 882 Product version from 3/13/2017

Parts for other finishes can be found here: [Chrome](#)



Spare parts list

No.	Item Number	Name	Quantity used	Delivery time
1	90 28 22 319 00-93	spout	1	20
2	09 27 89 114-93	rosette	1	20
3	09 30 30 037 90	screw	1	2
4	09 30 22 027 90	connection	1	60
5	09 14 10 130 90	seal	1	2
6	09 11 10 055 10 90	connection	1	2
7	90 14 10 060 00 90	seal	1	2
8	09 31 20 065 90	plug	1	2
9	04 30 04 019 00 90	hose	1	2
10	04 23 10 009 01 90	fixing set	1	2