

META Pillar tap cold water - Matte Black

17 500 662 Product version from 5/1/2022



- 123mm projection
- fixed spout
- circular, air-enriched flow
- height of mixer 232 mm
- height up to aerator 159 mm
- hole diameter 35 mm
- 1/2" connection
- rosette Ø 60 mm
- max. flow 5.7 l/min
- lead-free
- This product can help a building meet the requirements of Green Building Rating Systems, e.g. LEED®, BREEAM®, DGNB

	Matte Black	17 500 662-33
	Chrome	17 500 662-00
	Brushed Platinum	17 500 662-06
	Dark Chrome	17 500 662-19
	Light Gold	17 500 662-26
	Brushed Light Gold	17 500 662-27
	Brushed Bronze	17 500 662-42
	Brushed Champagne (22kt Gold)	17 500 662-46
	Champagne (22kt Gold)	17 500 662-47
	Brushed Chrome	17 500 662-93
	Brushed Dark Platinum	17 500 662-99



META Pillar tap cold water - Matte Black

17 500 662 Product version from 5/1/2022

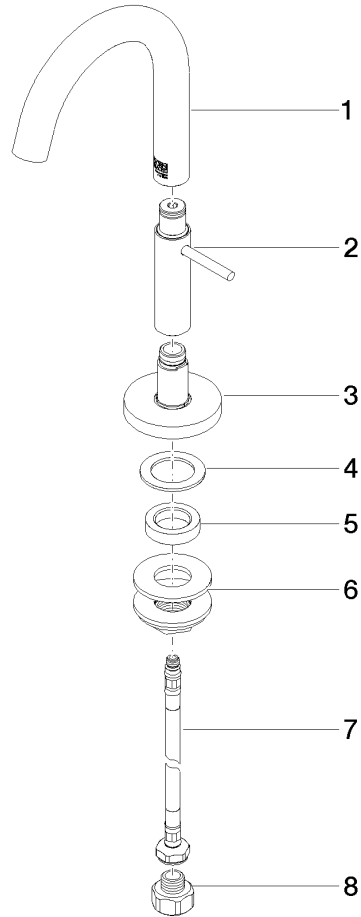
Certificates

LGA_38

META Pillar tap cold water - Matte Black

17 500 662 Product version from 5/1/2022

Parts for other finishes can be found here: [Chrome](#)



Spare parts list

No.	Item Number	Name	Quantity used	Delivery time
1	90 28 22 388 00-33	spout	1	30
2	90 20 66 024 10-33	handle	1	30
3	90 27 66 020 00-33	rosette	1	30
4	09 14 05 015 90	seal	1	2
5	09 28 10 079 90	ring	1	60
6	04 23 10 017 00 90	fixing set	1	60
7	04 30 04 102 00 90	High pressure hose 3/8" -	1	2
8	90 24 03 267 00-00	adaptor	1	10