

VAIA Two-hole bridge mixer for rinsing/Profi spray - Brushed Champagne (22kt Gold)

VAIA

19 815 809 Product version from 7/1/2023



- 241mm projection
- pivotable spout 360°
- air-enriched flow
- max. flow 7 l/min at 3 bar flow pressure
- lead-free
- This product can help a building meet the requirements of Green Building Rating Systems, e.g. LEED®, BREEAM®, DGNB

Two-hole mixer for combining with rinsing/Profi spray only

	Brushed Champagne (22kt Gold)	19 815 809-46
	Chrome	19 815 809-00
	Brushed Platinum	19 815 809-06
	Platinum	19 815 809-08
	Durabronze (23kt Gold)	19 815 809-09
	Dark Chrome	19 815 809-19
	Brushed Durabronze (23kt Gold)	19 815 809-28
	Matte Black	19 815 809-33
	Brushed Bronze	19 815 809-42
	Champagne (22kt Gold)	19 815 809-47
	Brushed Chrome	19 815 809-93
	Brushed Dark Platinum	19 815 809-99

Recommended miscellaneous

VAIA Dispenser with rosette - Brushed Champagne (22kt Gold) 82 434 809-46



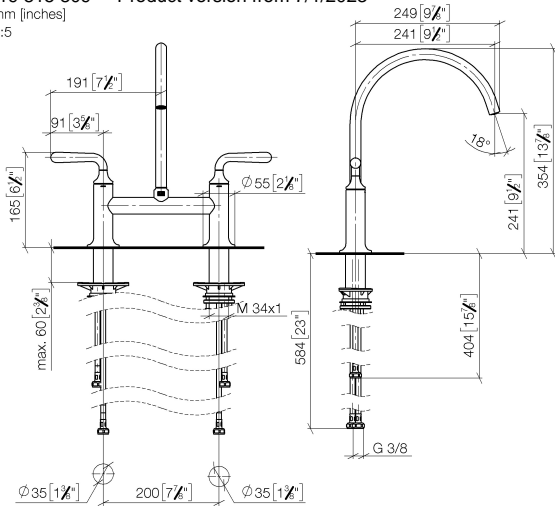
VAIA Two-hole bridge mixer for rinsing/Profi spray - Brushed Champagne (22kt Gold)

VAIA

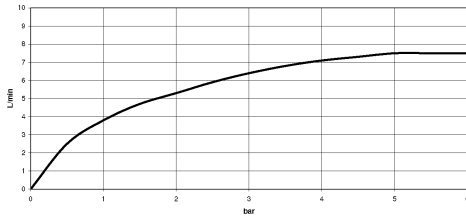
19 815 809 Product version from 7/1/2023

mm [inches]

1:5



Flow rate chart



Codes & Standards

DIN 4109

ISO 3822

Ü-Zeichen



VAIA Two-hole bridge mixer for rinsing/Profi spray - Brushed Champagne (22kt Gold)

VAIA

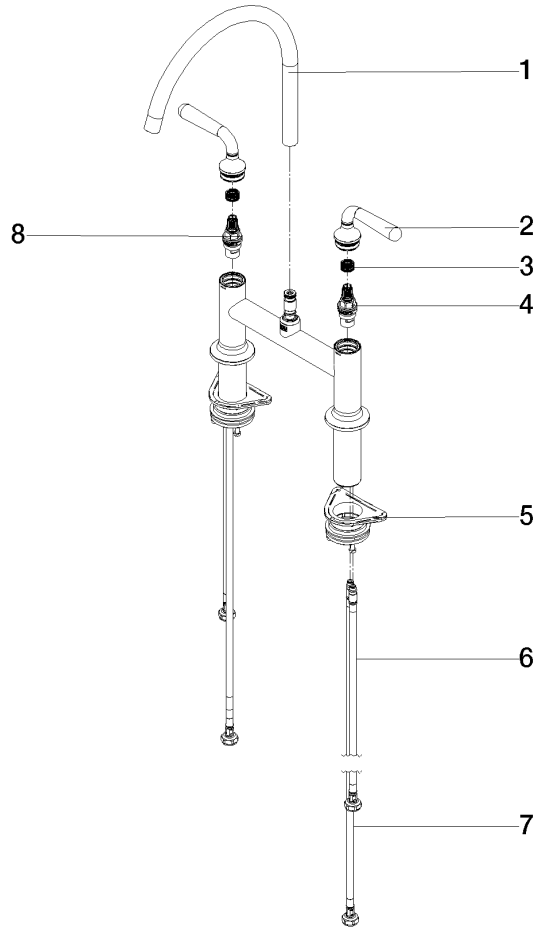
19 815 809 Product version from 7/1/2023

Certificates and sustainability

LGA_38

19 815 809 Product version from 7/1/2023

Parts for other finishes can be found here: [Chrome](#)



Spare parts list

No.	Item Number	Name	Quantity used	Delivery time
1	90 28 22 396 00-46	spout	1.00	30
8	90 90 03 131 00 90	top	1.00	2
7	04 30 04 101 00 90	hose	2.00	2
5	04 30 11 040 00 90	fixing set	2.00	2
3	90 12 12 232 00 90	fixing cap	2.00	2
2	90 20 80 057 00-46	handle	2.00	30
6	04 30 04 100 00 90	hose	2.00	2
4	90 90 03 130 00 90	top	1.00	2