

19 815 809



- 241mm projection
- pivotable spout 360°
- air-enriched flow
- max. flow 7 l/min at 3 bar flow pressure
- lead-free
- This product can help a building meet the requirements of Green Building Rating Systems, e.g. LEED®, BREEAM®, DGNB

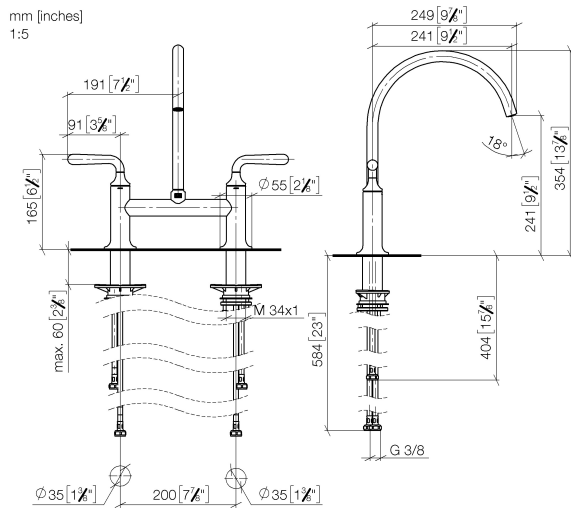
	Brushed Chrome	19 815 809-93
	Chrome	19 815 809-00
	Brushed Platinum	19 815 809-06
	Platinum	19 815 809-08
	Durabronze (23kt Gold)	19 815 809-09
	Dark Chrome	19 815 809-19
	Brushed Durabronze (23kt Gold)	19 815 809-28
	Matte Black	19 815 809-33
	Brushed Champagne (22kt Gold)	19 815 809-46
	Champagne (22kt Gold)	19 815 809-47
	Brushed Dark Platinum	19 815 809-99

Recommended miscellaneous

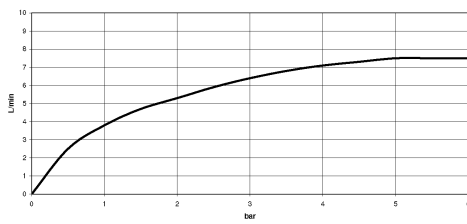
**VAIA Dispenser with rosette -** 82 434 809-93  
**Brushed Chrome**



19 815 809



Flow rate chart

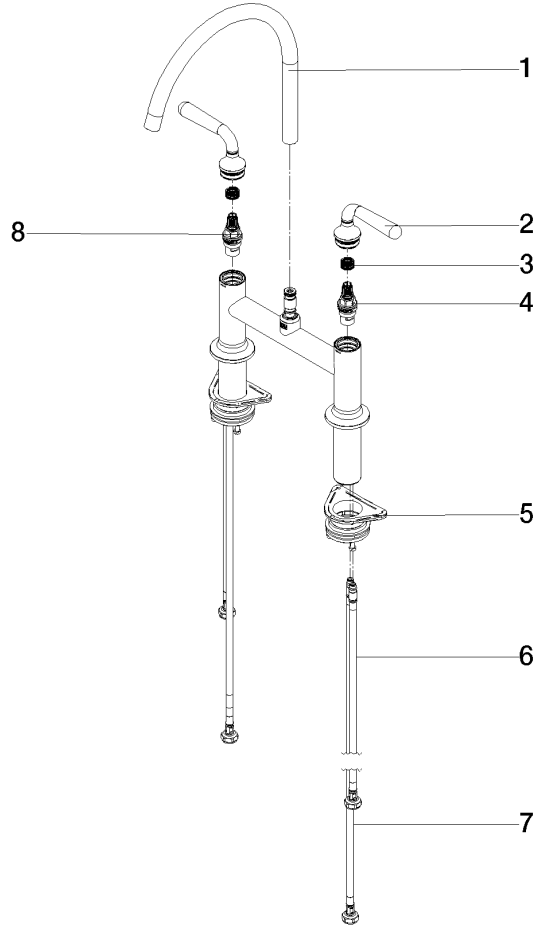


Certificates

LGA\_38632.

19 815 809

Parts for other finishes can be found here: [Chrome](#)



### Spare parts list

No.	Item Number	Name	Quantity used	Delivery time
1	90 28 22 396 00-93	spout	1	-
Spare part can no longer be ordered, please order the replacement item				
2	90 20 80 057 00-93	handle	2	-
Spare part can no longer be ordered, please order the replacement item				
3	90 12 12 232 00 90	fixing cap	2	2
4	90 90 03 130 00 90	top	1	2
5	04 30 11 040 00 90	fixing set	2	2
6	04 30 04 100 00 90	hose	2	2
7	04 30 04 101 00 90	hose	2	2
8	90 90 03 131 00 90	top	1	2