

19 825 809



- 241mm projection
- pivotable spout 360°
- air-enriched flow
- max. flow 7 l/min at 3 bar flow pressure
- lead-free
- This product can help a building meet the requirements of Green Building Rating Systems, e.g. LEED®, BREEAM®, DGNB

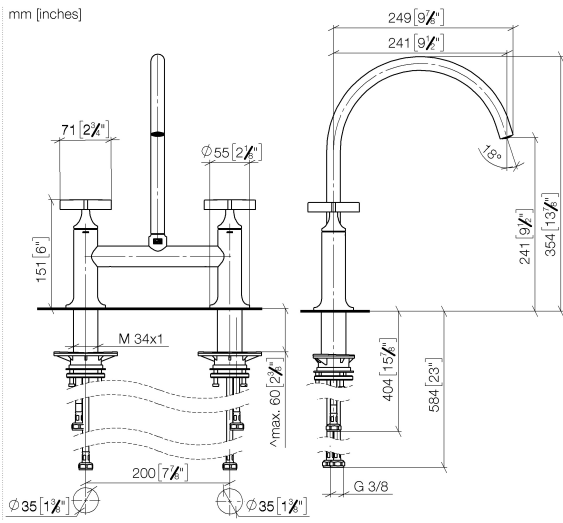
	Matte Black	19 825 809-33
	Chrome	19 825 809-00
	Brushed Platinum	19 825 809-06
	Platinum	19 825 809-08
	Durabress (23kt Gold)	19 825 809-09
	Dark Chrome	19 825 809-19
	Brushed Durabress (23kt Gold)	19 825 809-28
	Brushed Champagne (22kt Gold)	19 825 809-46
	Champagne (22kt Gold)	19 825 809-47
	Brushed Chrome	19 825 809-93
	Brushed Dark Platinum	19 825 809-99

**Recommended miscellaneous**

**VAIA Dispenser with rosette - Matte Black**      82 434 809-33



19 825 809



**Flow rate chart**



**Codes & Standards**

DIN 4109

ISO 3822

Ü-Zeichen



## VAIA Two-hole bridge mixer for rinsing/Profi spray - Matte Black

---

VAIA

19 825 809

Certificates

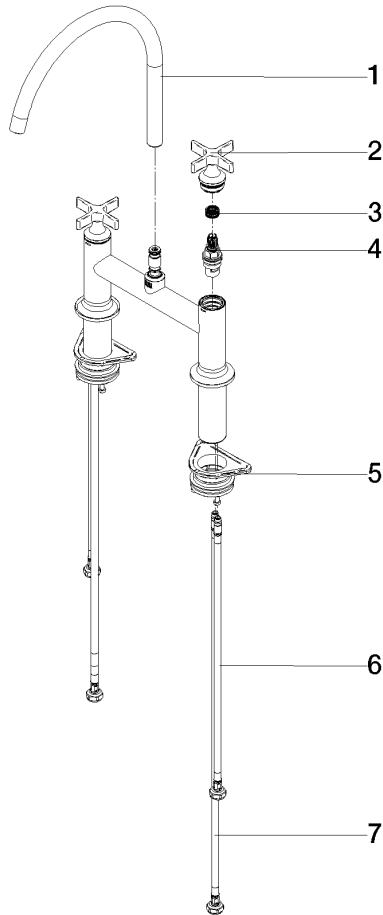
---

LGA\_38

19 825 809

**Product version from 7/1/2023**

Parts for other finishes can be found here: [Chrome](#)





VAIA Two-hole bridge mixer for rinsing/Profi spray - Matte Black

VAIA

19 825 809

**Spare parts list**

**Product version from 7/1/2023**

No.	Item Number	Name	Quantity used	Delivery time
	90 28 22 396 00-33	spout	13	60